

TAIPEI OFFICE

ZEEMAN INDUSTRY CO.

10F, No.367, Fude 3 Rd., Xizhi Dist.,
New Taipei City 221011, Taiwan.

Tel: +886-2-2694-2222

Fax: +886-2-2694-6411

email: sales@zeeman.com.tw

http://www.zeeman.com.tw

XIAMEN FACTORY

ZEEMAN FUSES MFG. (XIAMEN) CORP.

No.89, Shanbian Zhong Rd., Haicang, Xiamen, China.

P.C. 361027

Tel: +86-592-631-5555

Fax: +86-592-619-7161

email: sales@zeeman.cn

http://www.zeeman.cn

NANJING FACTORY

SUOUS ELECTRONIC (NANJING) CO., LTD.

No.1, Zeeman Rd., Tangshan, Nanjing, China.

P.C. 211133

Tel: +86-25-8410-8888

Fax: +86-25-8410-8885

email: sales-nj@zeeman.cn

http://www.zeeman.cn



PRODUCT CATALOG

Quality First . Accurate Fusing

Customer Satisfaction . Brandname Creation



www.zeeman.cn www.zeeman.com.tw

Taiwan. Xiamen. Nanjing



ZEEMAN FUSES

ZEEMAN INDUSTRY CO.
ALL COPYRIGHTS RESERVED
CATALOG#: ZCE202407T



TABLE OF CONTENTS

P1	Contents	
P2~3	Company Profile	Company Introduction
P4~P13	Blade Fuses	ATT , ATA , ATN , ATS , ATM
P14~P16	Circuit Breakers	CBK , CBC , CBH , E95 , E99
P17	Cable Fuses	CF
P18~P23	Fuse Links	FLF-N , FLF-NS , FLF-E , FLF-M , FLF , FLF-S , FLM , FLM-C , FLB , FLB-S , FLM-NPC
P24	European Fuses	GBC
P25	Shunt , Resistor	ATN-L , ATT-L , ATN-R , FE-L
P26~P32	Bolt-on Fuses	ANF , ANG , ANS-S , ANS-FW , ANM , ANM-FW , ANM-BW , NH51B , ANMH , ANL
P33	R & D	
P34~P37	Battery Fuses & Fuse Holders	SBT , SBM , SBM-B , SBM-BT , SBM-D , SBM-F , SBM-T , SBM-TC , SBM-TC-L , SBM-T3A
P38~P39	High Voltage Fuses	J4S30 , J4S38 , HF70S , HF73S
P40	High Voltage Fuse Holders	HVL15T , HVL15S , HVL17S , HVL20S , HVL35S
P41~P48	Bolt-on Fuse Holders	ANS-H , ANS-H12 , ANS-H14 , ANF-H12 , ANG-H22 , ANS-H4C , ANS-H5B , ZC-1M7S , ANS-H10A , ZC-015 , ANM-G , ANM-B , ANM-C , ANM-E , ANM-F , ANM-B2Y , ANM-C2Y , ANMH-H3 , ANM-B4 , ANM-C4 , BANL-B , BANL-C , BANL-F , BANL-E , BANL-B2 , BANL-C2 , BANL-B6 , BANL-C6
P49~P51	In-line Fuse Holders	ZC-2012 , ZC-9012 , ZC-9112 , ZC-9212 , ZC-6012 , ZC-7112 , ZC-8012 , ZC-001C , ZC-002C , ZC-003C , ZC-004C
P52~P53	Fuse Holders	HWB8A , HWB8B , HG-4735-S6B~S8C ZC-016 , ZC-016-5P , ZC-016NP , ZC-017
P54~P55	Assortment Kit	E-107 , E-201 , E-202 , E-203 , E-205 , E-236
P56	Fuse Pullers	ZC-419Y , ZC-519J , ZC-519M , ZC-519P , ZC-119

COMPANY INTRODUCTION

ZEEMAN was established in Taiwan in 1979 and has focused on automobile fuse development for the past 45 years. Being through the period of fuse industry evolution and reform, ZEEMAN still unceasingly persists only in the production of high-quality fuses.

ZEEMAN set up the Xiamen factory in 1989 and the Nanjing factory in 1994. It transformed from a 100% export-orientated company to nowadays 60% in export and 40% in China OEM, ZEEMAN can grow gradually fast for these few years because we strongly believe that providing high-quality products and keeping investment in R&D are the key points for the company growth.

Acting a key role in the automobile circuit protection system, we must diligently endeavor more and more efforts in the employee training program, quality control management implementation, the laboratory setup, new production research and development, production facilities upgrade and renewal, production process improvement and completed marketing service ideas to achieve customers' satisfaction, which all are Zeeman's management philosophy and mission that keep us moving forward.



Zeeman Fuses Plant 1st: ①②③

Zeeman Fuses Plant 2nd: ①②③④

Construction of 2nd Plant commenced at the beginning of 2024, with production expected to start in early 2026. The usable area of Plant 2nd is 3.5 times that of Plant 1st, with an expected production capacity increase of 75%.

ATT

RoHS



LOW PROFILE MINI FUSES



Fast Acting

Voltage Rating: DC58V or less

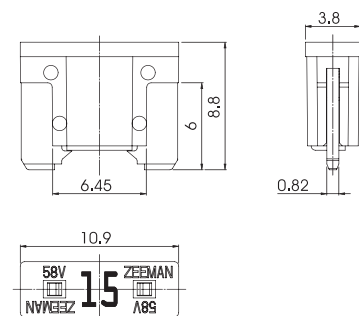
Interrupting Rating: 1000A @58VDC

Operating Temperature Range: -40°C to +125°C

Materials: 1. Zinc Alloy
2. Plastic

Complies with JASO D612 / ISO 8820-9

• Characteristics of fuses according to use conditions may change.



TIME-CURRENT CHARACTERISTICS

Test Current	Opening Time	
	Min.	Max.
110%	100 hrs.	---
135%	0.75 s	600 s
160%	0.25 s	50 s
200%	0.15 s	5 s
350%	0.04 s	0.5 s
600%	0.02 s	0.1 s

Item No.	Ampere	Color
ATT 2	2 A	Gray
ATT 3	3 A	Violet
ATT 4	4 A	Pink
ATT 5	5 A	Tan
ATT 7.5	7.5 A	Brown
ATT 10	10 A	Red
ATT 15	15 A	Blue
ATT 20	20 A	Yellow
ATT 25	25 A	White
ATT 30	30 A	Green



ATT

RoHS



Packing No.: 410100
100 pcs / color box,
10,000 pcs / ctn / 1.0'
6.5 / 7.5 kgs.



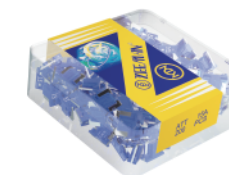
Packing No.: 417010
10 pcs / plastic box,
100 pcs / color box
10,000 pcs / ctn / 1.3'
10.5 / 11.5 kgs.



Packing No.: 430100
100 pcs / plastic box,
10,000 pcs / inner ctn,
20,000 pcs / ctn / 1.6'
16 / 17 kgs.



Packing No.: 420200
200 pcs / pp box,
20,000 pcs / ctn / 1.3'
11 / 12 kgs.



Packing No.: 430200
200 pcs / plastic box,
10,000 pcs / inner ctn,
20,000 pcs / ctn / 1.6'
14 / 15 kgs.



Packing No.: 420100
100 pcs / pp box,
10,000 pcs / inner ctn,
20,000 pcs / ctn / 1.3'
7 / 8 kgs.



Packing No.: 461010
10 pcs / card,
25 cards / inner box,
500 cards / ctn / 1.2'
5.5 / 6.5 kgs.

ATA

RoHS



TINY FUSES



Fast Acting

Voltage Rating: DC58V or less

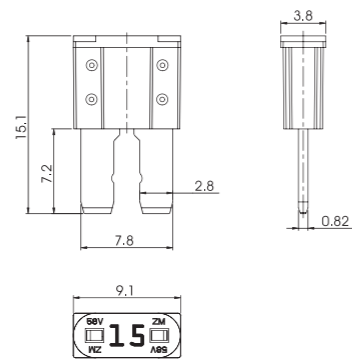
Interrupting Rating: 1000A @58VDC

Operating Temperature Range: -40°C to +125°C

Materials: 1. Zinc Alloy
2. Plastic

Complies with ISO 8820-12

• Characteristics of fuses according to use conditions may change



TIME-CURRENT CHARACTERISTICS

Test Current	Opening Time	
	Min.	Max.
110%	100 hrs.	---
135%	0.75 s	120 s
160%	0.25 s	50 s
200%	0.15 s	5 s
350%	0.04 s	0.5s
600%	0.02 s	0.1s

Item No.	Ampere	Color
ATA 5	5 A	Tan
ATA 7.5	7.5 A	Brown
ATA 10	10 A	Red
ATA 15	15 A	Blue
ATA 20	20 A	Yellow
ATA 25	25 A	White
ATA 30	30 A	Green



ATA

RoHS



Packing No.: 210100
100 pcs / color box,
10,000 pcs / ctn / 1.0'
8 / 9 kgs.



Packing No.: 230100
100 pcs / plastic box,
10,000 pcs / inner ctn,
20,000 pcs / ctn / 1.3'
19 / 20 kgs.



Packing No.: 220100
100 pcs / pp box,
10,000 pcs / ctn / 1.4'
9 / 10 kgs.



Packing No.: 220200
200 pcs / pp box,
20,000 pcs / ctn / 1.3'
14 / 15 kgs.



Packing No.: 230200
200 pcs / plastic box,
10,000 pcs / inner ctn,
20,000 pcs / ctn / 1.3'
17 / 18 kgs.



Packing No.: 261010
10 pcs / card,
25 cards / inner box,
500 cards / ctn / 1.2'
5 / 6 kgs.

ATN

RoHS



MINI PLUG-IN FUSES (MINI BLADE FUSES)



Fast Acting

Voltage Rating: DC58V or less

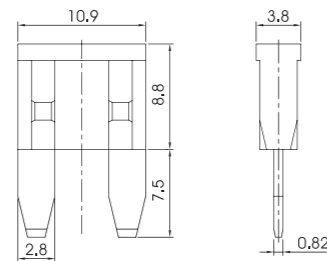
Interrupting Rating: 1000A @58VDC

Operating Temperature Range: -40°C to +125°C

Materials: 1. Zinc Alloy
2. Plastic

Complies with SAE J2077 / JASO D612 / ISO 8820-3 / GB/T31465.3

• Characteristics of fuses according to use conditions may change.



TIME-CURRENT CHARACTERISTICS

Test Current	Opening Time	
	Min.	Max.
110%	100 hrs.	---
135%	0.75 s	600 s
160%	0.25 s	50 s
200%	0.15 s	5 s
350%	0.04 s	0.5 s
600%	0.02 s	0.1 s

Item No.	Ampere	Color
ATN 2	2 A	Gray
ATN 3	3 A	Violet
ATN 4	4 A	Pink
ATN 5	5 A	Tan
ATN 7.5	7.5 A	Brown
ATN 10	10 A	Red
ATN 15	15 A	Blue
ATN 20	20 A	Yellow
ATN 25	25 A	White
ATN 30	30 A	Green
ATN 35	35 A	Dk.Green



ATN

RoHS



Packing No.: 910100

100 pcs / color box,
10,000 pcs / ctn / 1.0'
8 / 9 kgs.



Packing No.: 920100

100 pcs / pp box,
10,000 pcs / ctn / 1.3'
9.5 / 10.5 kgs.



Packing No.: 917010

10 pcs / plastic box,
100 pcs / color box,
10,000 pcs / ctn / 1.6'
15 / 16 kgs.



Packing No.: 961010

10 pcs / card,
25 cards / inner box,
500 cards / ctn / 1.2'
5 / 6 kgs.



Packing No.: 930100

100 pcs / plastic box,
10,000 pcs / inner ctn,
20,000 pcs / ctn / 1.6'
19 / 20 kgs.



Packing No.: 941110

10 pcs / blister card,
50 cards / inner box,
500 cards / ctn / 2.5'
8.5 / 9.5 kgs.



Packing No.: 930200

200 pcs / plastic box,
10,000 pcs / inner ctn,
20,000 pcs / ctn / 1.6'
17 / 18 kgs.

ATS

RoHS



BLADE FUSES

PLUG - IN FUSES (BLADE FUSES)



Fast Acting

Voltage Rating: DC58V or less

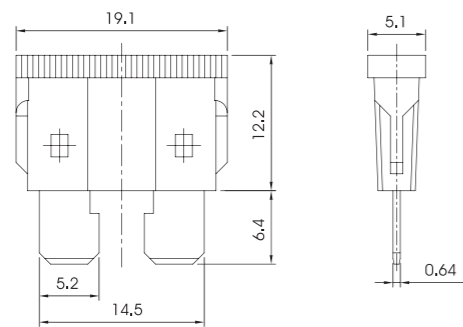
Interrupting Rating: 1000A @58VDC

Operating Temperature Range: -40°C to +125°C

Materials: 1. Zinc Alloy
2. Plastic

Complies with SAE J1284 / JASO D612 / ISO 8820-3 / GB/T31465.3

• Characteristics of fuses according to use conditions may change.



TIME-CURRENT CHARACTERISTICS

Test Current	Opening Time	
	Min.	Max.
110%	100 hrs.	---
135%	0.75 s	600 s
160%	0.25 s	50 s
200%	0.15 s	5 s
350%	0.04 s	0.5 s
600%	0.02 s	0.1 s

Item No.	Ampere	Color
ATS 2	2 A	Gray
ATS 3	3 A	Violet
ATS 4	4 A	Pink
ATS 5	5 A	Tan
ATS 7.5	7.5 A	Brown
ATS 10	10 A	Red
ATS 15	15 A	Blue
ATS 20	20 A	Yellow
ATS 25	25 A	White
ATS 30	30 A	Green
ATS 35	35 A	Dk.Green

ATS

RoHS



BLADE FUSES



Packing No.: 610100
100 pcs / color box,
10,000 pcs / ctn / 1.0'
16 / 17 kgs.



Packing No.: 620050
50 pcs / pp box,
5,000 pcs / ctn / 1.3'
10 / 11 kgs.



Packing No.: 617010
10 pcs / plastic box,
100 pcs / color box,
5,000 pcs / ctn / 0.7'
11 / 12 kgs.



Packing No.: 620100
100 pcs / pp box,
10,000 pcs / ctn / 1.3'
17 / 18 kgs.



Packing No.: 630050
50 pcs / plastic box,
5,000 pcs / inner ctn,
10,000 pcs / ctn / 1.6'
19 / 20 kgs.



Packing No.: 661010
10 pcs / card,
25 cards / inner box,
500 cards / ctn / 1.2'
9 / 10 kgs.



Packing No.: 630100
100 pcs / plastic box,
5,000 pcs / inner ctn,
10,000 pcs / ctn / 1.3'
19 / 20 kgs.



Packing No.: 641110
10 pcs / blister card,
50 cards / inner box,
500 cards / ctn / 2.5'
15 / 16 kgs.

ATM

RoHS



BLADE FUSES

MAXI PLUG-IN FUSES (MAXI BLADE FUSES)



Slow Blow

Voltage Rating: DC58V or less

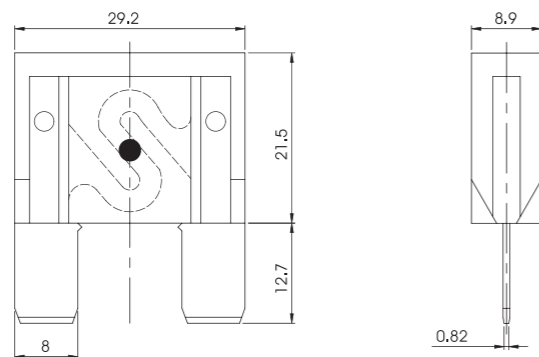
Interrupting Rating: 1000A @58VDC

Operating Temperature Range: -40°C to +125°C

Materials: 1. Zinc Alloy
2. Plastic

Complies with SAE J1888 / JASO D612 / ISO 8820-3 / GB/T31465.3

• Characteristics of fuses according to use conditions may change.



TIME-CURRENT CHARACTERISTICS

Test Current	Opening Time	
	Min.	Max.
110%	100 hrs.	---
135%	60 s	1800 s
160%	10 s	200 s
200%	2 s	60 s
350%	0.2 s	7 s
600%	0.04 s	1 s

Item No.	Ampere	Color
ATM 20	20 A	Yellow
ATM 30	30 A	Green
ATM 40	40 A	Tan
ATM 50	50 A	Red
ATM 60	60 A	Blue
ATM 70	70 A	Brown
ATM 80	80 A	White



BLADE FUSES

ATM

RoHS



Packing No.: 510020
20 pcs / color box,
2,000 pcs / ctn / 1.0'
14 / 15 kgs.



Packing No.: 520020
20 pcs / pp box,
2,000 pcs / ctn / 1.3'
15.5 / 16.5 kgs.



Packing No.: 530010
10 pcs / plastic box,
1,000 pcs / inner ctn
2,000 pcs / ctn / 1.3'
18 / 19 kgs.



Packing No.: 520010
10 pcs / pp box,
1,000 pcs / ctn / 1.3'
9.5 / 10.5 kgs.



Packing No.: 530020
20 pcs / plastic box,
1,000 pcs / inner ctn
2,000 pcs / ctn / 1.3'
17 / 18 kgs.

CBK

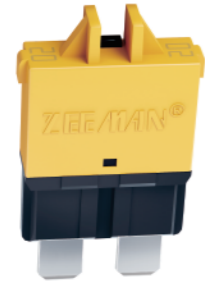
RoHS



CIRCUIT BREAKERS

CBC

RoHS

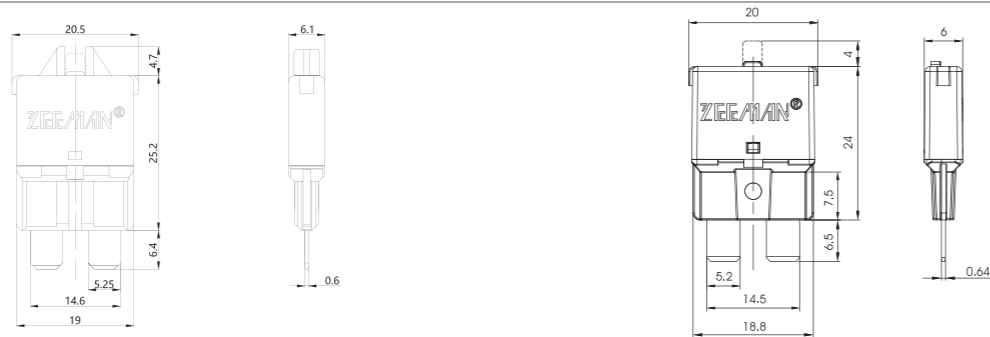


Circuit Breakers

Voltage Rating : DC28V or less
 Interrupting Rating: 2000A @28VDC
 Operating Temperature Range: -40°C to +85°C
 Materials : 1. Copper Alloy
 2. Plastic

Complies with ISO 10924-4

• Characteristics of fuses according to use conditions may change.



TIME-CURRENT CHARACTERISTICS

Test Current	Opening Time	
	Min.	Max.
70%	1 hr.	---
100%	1800 s	---
110%	10 s	---
135%	3 s	600 s
160%	2 s	120 s
200%	1 s	40 s
350%	0.35 s	6 s
600%	0.13 s	2 s

Item No.	Ampere	Color
CBK 5	5 A	Tan
CBK 6	6 A	Green
CBK 7.5	7.5 A	Brown
CBK 10	10 A	Red
CBK 15	15 A	Blue
CBK 20	20 A	Yellow
CBK 25	25 A	White
CBK 30	30 A	Lt.Green
CBK 35	35 A	Dk.Green
CBK 40	40 A	Orange

Test Current	Opening Time	
	Min.	Max.
100%	1 hr.	---
110%	40 s	3600 s
135%	12 s	1800 s
160%	6 s	170 s
200%	3 s	40 s
350%	0.8 s	6 s
600%	0.2 s	1 s

Item No.	Ampere	Color
CBC 5	5 A	Tan
CBC 6	6 A	Green
CBC 7.5	7.5 A	Brown
CBC 10	10 A	Red
CBC 15	15 A	Blue
CBC 20	20 A	Yellow
CBC 25	25 A	White
CBC 30	30 A	Lt.Green



CIRCUIT BREAKERS

CBH

RoHS

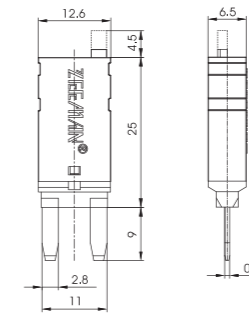


Circuit Breakers

Voltage Rating : DC28V or less
 Interrupting Rating: 2000A @28VDC
 Operating Temperature Range: -40°C to +85°C
 Materials : 1. Copper Alloy
 2. Plastic

Complies with ISO 10924-3

• Characteristics of fuses according to use conditions may change.



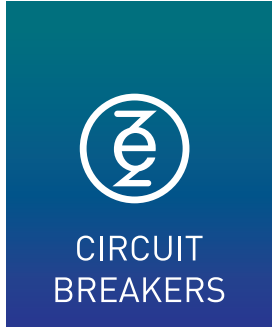
TIME-CURRENT CHARACTERISTICS

Test Current	Opening Time	
	Min.	Max.
70%	1 hr.	---
100%	3600 s	---
110%	60 s	---
135%	45 s	1800 s
160%	20 s	200 s
200%	5 s	60 s
350%	0 s	5 s

Item No.	Ampere	Color
CBH 5	5 A	Tan
CBH 7.5	7.5 A	Brown
CBH 10	10 A	Red
CBH 15	15 A	Blue
CBH 20	20 A	Yellow
CBH 25	25 A	White
CBH 30	30 A	Green
CBH 35	35 A	Dk.Green
CBH 40	40 A	Orange

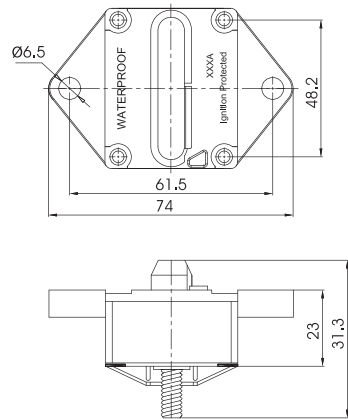
E95

RoHS



Circuit Breakers

Voltage Rating: DC30V or less
Interrupting Rating: 3000A @30V DC
Operating Temperature Range: -32°C to +85°C
IP Rating: IP67
Materials: 1. Bimetallic strip
 2. Plastic
Complies with SAE J553/SAE J1455



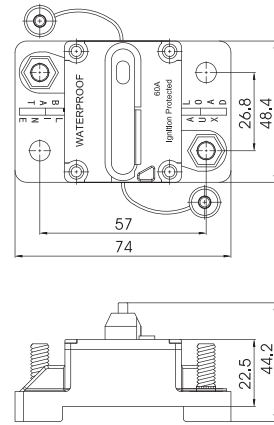
E99

RoHS



Circuit Breakers

Voltage Rating: DC48V or less
Interrupting Rating: 3000A @48V DC
Operating Temperature Range: -32°C to +85°C
IP Rating: IP67
Materials: 1. Bimetallic strip
 2. Plastic
Complies with SAE J1625

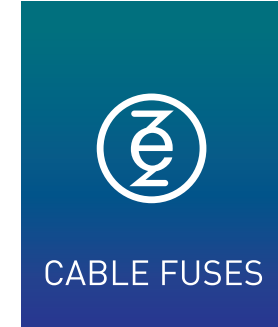


TIME-CURRENT CHARACTERISTICS

Item No.	Ampere
E95 20	20 A
E95 30	30 A
E95 40	40 A
E95 50	50 A
E95 60	60 A
E95 70	70 A
E95 80	80 A
E95 100	100 A
E95 110	110 A
E95 120	120 A
E95 130	130 A
E95 140	140 A
E95 150	150 A

Test Current	Trip Time	Reset Time
130%	≥ 1 hr.	---
135%	≤ 1800 s	≤ 300 s
200%	8-100 s	---

Item No.	Ampere
E99 20	20 A
E99 30	30 A
E99 40	40 A
E99 50	50 A
E99 60	60 A
E99 70	70 A
E99 80	80 A
E99 100	100 A
E99 110	110 A
E99 120	120 A
E99 130	130 A
E99 140	140 A
E99 150	150 A



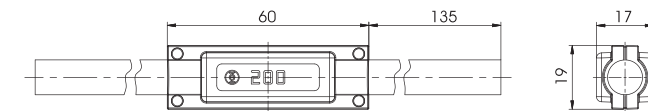
CF

RoHS



Slow Blow

Voltage Rating: DC32V or less
Interrupting Rating: 1000A @32VDC
Operating Temperature Range: -40°C to +125°C
IP Rating: IP67(IP69K)
Materials: 1. Copper Alloy
 2. Plastic
Wire specification and length can be customized according to customer requirements.
 • Characteristics of fuses according to use conditions may change.



TIME-CURRENT CHARACTERISTICS

Test Current	Opening Time	
	Min.	Max.
100%	100 hrs.	---
135%	120 s	1800 s
200%	10 s	300 s
350%	1 s	15 s
600%	0.3 s	5 s

Item No.	Ampere	CSA. (mm ²)
CF 60	60A	6 mm ²
CF 80	80A	10 mm ²
CF 100	100A	10 mm ²
CF 125	125A	16 mm ²
CF 150	150A	16/25 mm ²
CF 175	175A	16/25 mm ²
CF 200	200A	16/25 mm ²

FLF-N

RoHS



MINI FEMALE TYPE

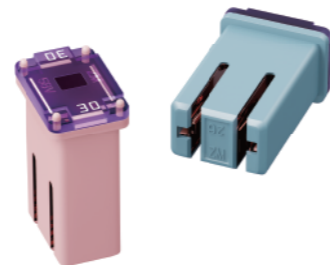


Slow Blow

- Voltage Rating: DC58V or less
- Interrupting Rating: 1000A @58VDC
- Operating Temperature Range: -40°C to +125°C
- Materials: 1. Copper Alloy
2. Plastic
- Complies with ISO 8820-4 / GB/T31465.4
- Characteristics of fuses according to use conditions may change.

FLF-NS

RoHS



Slow Blow

- Voltage Rating: DC58V or less
- Interrupting Rating: 1000A @58VDC
- Operating Temperature Range: -40°C to +125°C
- Materials: 1. Copper Alloy
2. Plastic
- Complies with ISO 8820-4
- Characteristics of fuses according to use conditions may change.

FLF-E

RoHS



MINI FEMALE TYPE



Slow Blow

- Voltage Rating: DC32V or less
- Interrupting Rating: 1000A @32VDC
- Operating Temperature Range: -40°C to +125°C
- Materials: 1. Copper Alloy
2. Plastic
- Complies with JASO D612 / ISO 8820-4 / GB/T31465.4
- Characteristics of fuses according to use conditions may change.

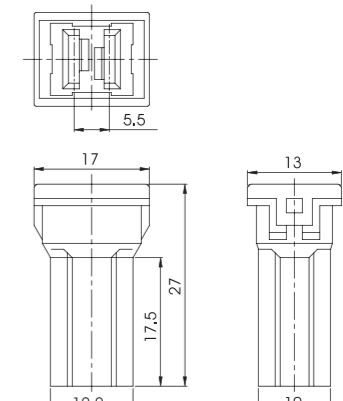
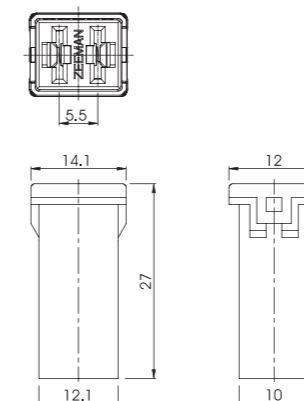
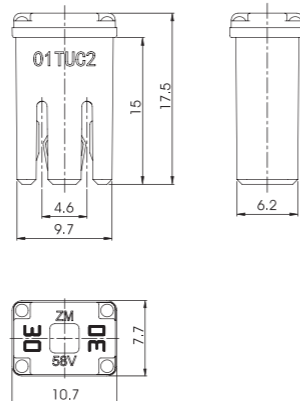
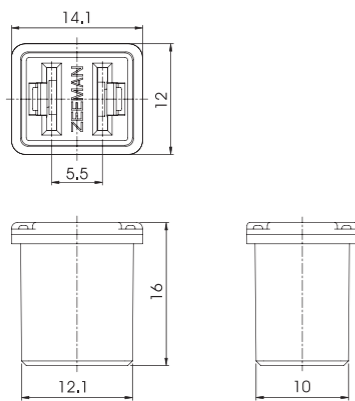
FLF-M

RoHS



Slow Blow

- Voltage Rating: DC32V or less
- Interrupting Rating: 1000A @32VDC
- Operating Temperature Range: -40°C to +125°C
- Materials: 1. Copper Alloy
2. Plastic
3. Ceramic
- Characteristics of fuses according to use conditions may change.



TIME-CURRENT CHARACTERISTICS

Item No.	Ampere	Color
FLF-N 20	20 A	Lt.Blue
FLF-N 25	25 A	White
FLF-N 30	30 A	Pink
FLF-N 40	40 A	Green
FLF-N 50	50 A	Red
FLF-N 60	60 A	Yellow

Test Current	Opening Time	
	Min.	Max.
110%	4 hrs.	---
135%	60 s	1800 s
200%	2 s	60 s
350%	0.2 s	7 s
600%	0.04 s	1 s

Item No.	Ampere	Color
FLF-NS 15	15 A	Gray
FLF-NS 20	20 A	Lt.Blue
FLF-NS 25	25 A	White
FLF-NS 30	30 A	Pink
FLF-NS 40	40 A	Green
FLF-NS 50	50 A	Red
FLF-NS 60	60 A	Yellow

TIME-CURRENT CHARACTERISTICS

Item No.	Ampere	Color
FLF-E 20	20 A	Lt.Blue
FLF-E 25	25 A	White
FLF-E 30	30 A	Pink
FLF-E 40	40 A	Green
FLF-E 50	50 A	Red
FLF-E 60	60 A	Yellow

Test Current	Opening Time	
	Min.	Max.
110%	4 hrs.	---
150%	30 s	3600 s
200%	5 s	100 s
350%	0.2 s	7 s
600%	0.04 s	1 s

Item No.	Ampere	Color
FLF-M 20	20 A	Lt.Blue
FLF-M 30	30 A	Pink
FLF-M 40	40 A	Green
FLF-M 50	50 A	Red
FLF-M 60	60 A	Yellow
FLF-M 70	70 A	Brown
FLF-M 80	80 A	Black
FLF-M 100	100 A	Blue

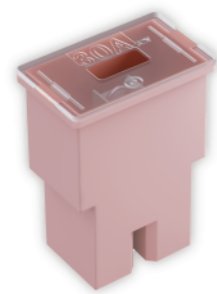
FLF

RoHS



FUSE LINKS

FEMALE TYPE

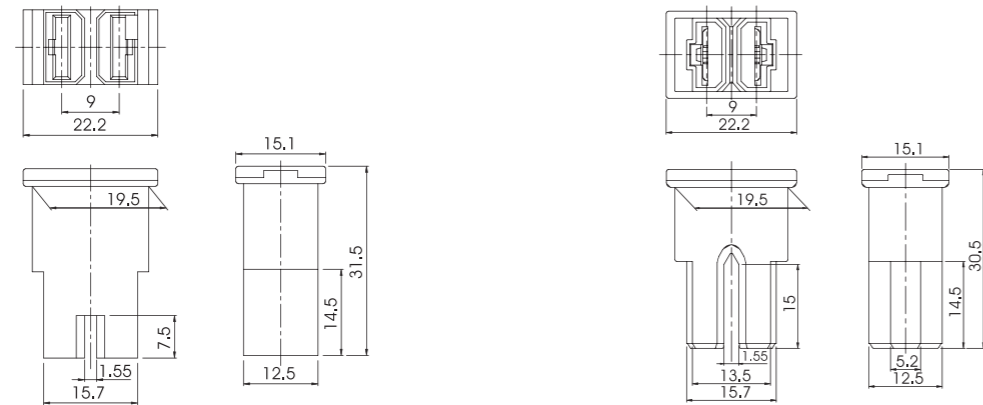


Slow Blow

- Voltage Rating: DC32V or less
- Interrupting Rating: 1000A @32VDC
- Operating Temperature Range: -40°C to +125°C
- Materials: 1. Copper Alloy
2. Plastic
3. Ceramic

Complies with ISO 8820-4 / GB/T31465.4

• Characteristics of fuses according to use conditions may



TIME-CURRENT CHARACTERISTICS

Item No.	Ampere	Color
FLF 20	20 A	Lt.Blue
FLF 30	30 A	Pink
FLF 40	40 A	Green
FLF 50	50 A	Red
FLF 60	60 A	Yellow
FLF 70	70 A	Brown
FLF 80	80 A	Black
FLF 100	100 A	Blue

Test Current	Opening Time	
	Min.	Max.
110%	4 hrs.	---
150%	30 s	3600 s
200%	5 s	100 s
350%	0.2 s	7 s
600%	0.04 s	1 s

Item No.	Ampere	Color
FLF-S 20	20 A	Lt.Blue
FLF-S 30	30 A	Pink
FLF-S 40	40 A	Green
FLF-S 50	50 A	Red
FLF-S 60	60 A	Yellow

FLM

RoHS



FUSE LINKS

MALE TYPE

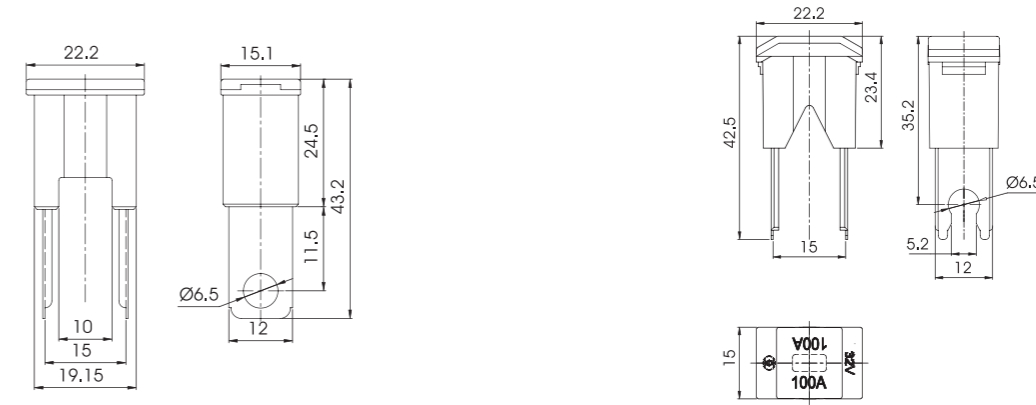


Slow Blow

- Voltage Rating: DC32V or less
- Interrupting Rating: 1000A @32VDC
- Operating Temperature Range: -40°C to +125°C
- Materials: 1. Copper Alloy
2. Plastic
3. Ceramic

Complies with JASO D612 / ISO 8820-4 / GB/T31465.4

• Characteristics of fuses according to use conditions may change.



TIME-CURRENT CHARACTERISTICS

Test Current	Opening Time	
	Min.	Max.
110%	4 hrs.	---
150%	30 s	3600 s
200%	5 s	100 s
350%	0.2 s	7 s
600%	0.04 s	1 s

Item No.	Ampere	Color
FLM 20	20 A	Lt.Blue
FLM 30	30 A	Pink
FLM 40	40 A	Green
FLM 50	50 A	Red
FLM 60	60 A	Yellow
FLM 70	70 A	Brown
FLM 80	80 A	Black
FLM 100	100 A	Blue
FLM 120	120 A	White

Test Current	Opening Time	
	Min.	Max.
110%	4 hrs.	---
200%	5 s	100 s
350%	0.2 s	7 s
600%	0.04 s	1 s

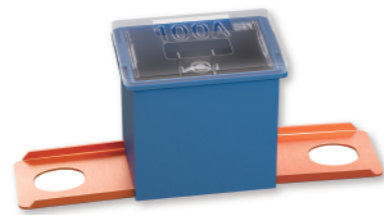
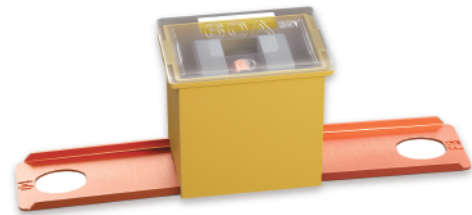
Item No.	Ampere	Color
FLM-C 20	20 A	Lt.Blue
FLM-C 30	30 A	Pink
FLM-C 40	40 A	Green
FLM-C 50	50 A	Red
FLM-C 60	60 A	Yellow
FLM-C 70	70 A	Brown
FLM-C 80	80 A	Black
FLM-C 100	100 A	Blue

FLB

RoHS



BENT MALE TYPE

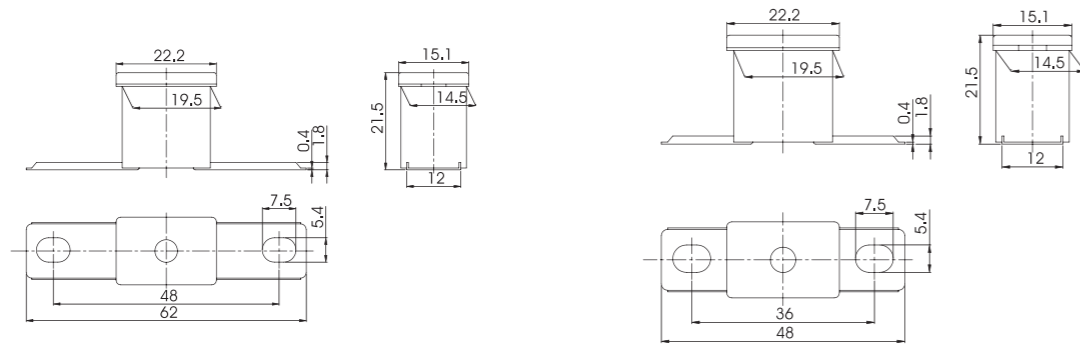


FLB-S

RoHS

Blow
 Voltage Rating : DC32V or less
 Interrupting Rating: 1000A @32VDC
 Operating Temperature Range: -40°C to +125°C
 Materials: 1. Copper Alloy
 2. Plastic
 3. Ceramic
 Complies with JASO D612 / ISO 8820-4 / GB/T31465.4

• Characteristics of fuses according to use conditions may change.



TIME-CURRENT CHARACTERISTICS

Item No.	Ampere	Color
FLB 30	30 A	Pink
FLB 40	40 A	Green
FLB 50	50 A	Red
FLB 60	60 A	Yellow
FLB 70	70 A	Brown
FLB 80	80 A	Black
FLB 100	100 A	Blue

Test Current	Opening Time	
	Min.	Max.
110%	4 hrs.	---
150%	30 s	3600 s
200%	5 s	100 s
350%	0.2 s	7 s
600%	0.04 s	1 s

Item No.	Ampere	Color
FLB-S 30	30 A	Pink
FLB-S 40	40 A	Green
FLB-S 50	50 A	Red
FLB-S 60	60 A	Yellow
FLB-S 70	70 A	Brown
FLB-S 80	80 A	Black
FLB-S 100	100 A	Blue
FLB-S 120	120 A	White

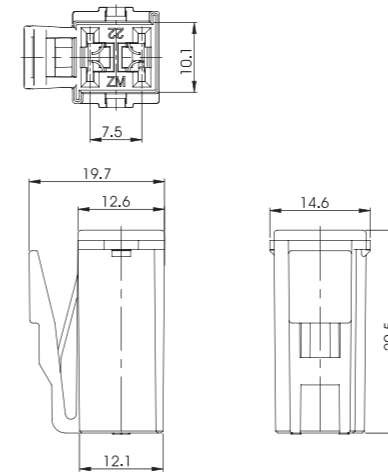


HOOK TYPE



Slow Blow
 Voltage Rating: DC32V or less
 Interrupting Rating: 1000A @32VDC
 Operating Temperature Range: -40°C to +125°C
 Materials: 1. Copper Alloy
 2. Plastic
 3. Ceramic

• Characteristics of fuses according to use conditions may change.



TIME-CURRENT CHARACTERISTICS

Test Current	Opening Time		Item No.	Ampere	Color
	Min.	Max.			
110%	4 hrs.	---	FLM-NPC 20	20 A	Lt. Blue
200%	5 s	100 s	FLM-NPC 30	30 A	Pink
350%	0.2 s	7 s	FLM-NPC 40	40 A	Green
600%	0.04 s	1 s	FLM-NPC 50	50 A	Red
			FLM-NPC 60	60 A	Yellow
			FLM-NPC 70	70 A	Brown
			FLM-NPC 80	80 A	Black
			FLM-NPC100	100 A	Blue



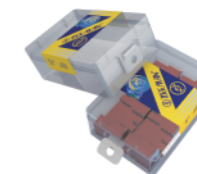
Packing No.: 310100
 (only for FLF-M \ FLF-E \ FLF-N)
 100 pcs / color box,
 2,000 pcs / ctn / 1.4'
 9 / 10 kgs.



Packing No.: 330010
 10 pcs / plastic box,
 1,000 pcs / ctn / 1.3'
 10.5 / 11.5 kgs.



Packing No.: 310050
 50 pcs / plastic box,
 1,000 pcs / ctn / 1.4'
 4 / 5 kgs.



Packing No.: 320010
 10 pcs / pp box,
 1,000 pcs / ctn / 1.3'
 10 / 11 kgs.

GBC

RoHS



Fast Acting

voltage Rating: DC32V or less

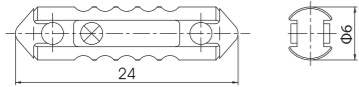
Materials : 1. Zinc Alloy
2. Plastic

Size: 6 x 24 mm

Complies with DIN 72581/1

• Characteristics of fuses according to use conditions may change.

TIME-CURRENT CHARACTERISTICS



Test Current	Opening Time	
	Min.	Max.
150%	1 hr.	---
250%	---	60 s

Item No.	Ampere	Color
GBC 5	5 A	Yellow
GBC 8	8 A	White
GBC 16	16 A	Red
GBC 25	25 A	Blue
GBC 30	30 A	Black



Packing No.: 810100

100 pcs / color box,
10,000 pcs / ctn / 1.0'
8 / 9 kgs.



Packing No.: 830200

200 pcs / plastic box,
10,000 pcs / inner ctn,
20,000 pcs / ctn / 1.3'
22 / 23 kgs.



Packing No.: 817020

20 pcs / plastic box,
200 pcs / inner box,
20,000 pcs / ctn / 1.3'
22 / 23 kgs.



Packing No.: 820100

100 pcs / pp box,
10,000 pcs / ctn / 1.3'
11 / 12 kgs.



Packing No.: 830100

100 pcs / plastic box,
10,000 pcs / inner ctn,
20,000 pcs / ctn / 1.3'
22 / 23 kgs.

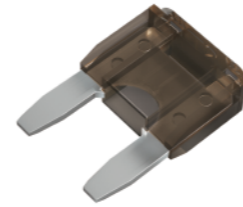


Packing No.: 841020

20 pcs / blister card,
50 cards / inner box,
500 cards / ctn / 3.2'
14 / 15 kgs.

ATN-L

RoHS

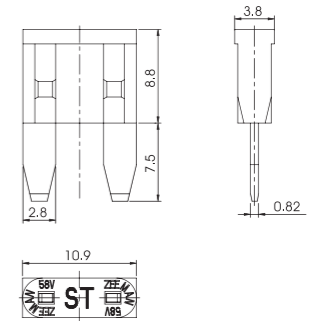


Shunt

Voltage Rating: DC58V or less

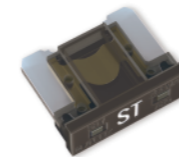
Materials: 1. Zinc Alloy
2. Plastic

Maximum Current Load: 30A



ATT-L

RoHS

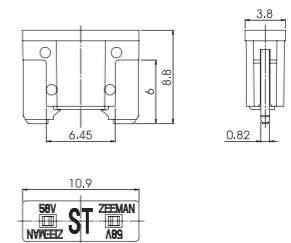


Shunt

Voltage Rating: DC58V or less

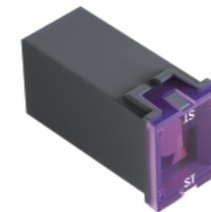
Materials: 1. Zinc Alloy
2. Plastic

Maximum Current Load: 20A



FE-L

RoHS



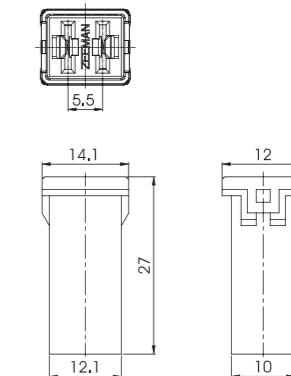
Shunt

Voltage Rating: DC32V or less

Operating Temperature Range: -40°C to +125°C

Materials: 1. Copper Alloy
2. Plastic

Maximum Current Load: 50A



ATN-R

RoHS



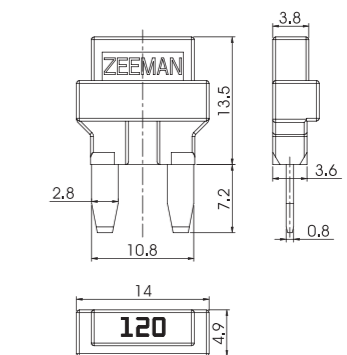
Resistor

Operating Temperature Range: -40°C to +85°C

Materials: 1. C.R.S. (Ni/Zn Plated)
2. Plastic

Terminal Retention Force: 25N

Resistor (±1%)	Power Rating
16.8 Ω	0.25W
121 Ω	0.5W
240 Ω	0.5W
500 Ω	0.5W
620 Ω	0.5W
1130 Ω	0.25W
1500 Ω	0.25W
5100 Ω	0.25W



ANF

RoHS



BOLT-ON FUSES

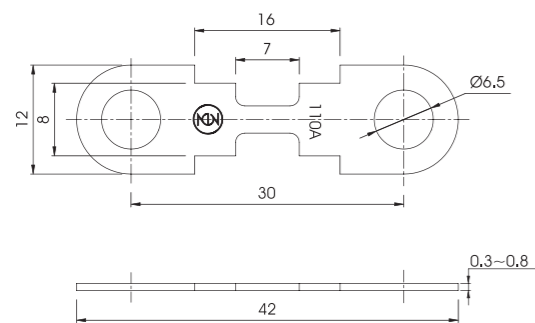


Medium Time Lag

Voltage Rating: DC32V or less

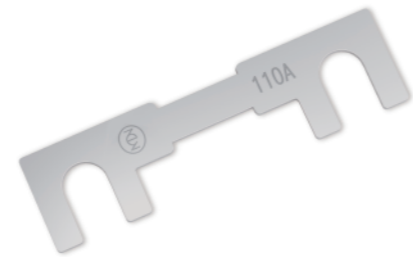
Materials: Zinc Alloy

- Characteristics of fuses according to use conditions may change.



ANG

RoHS



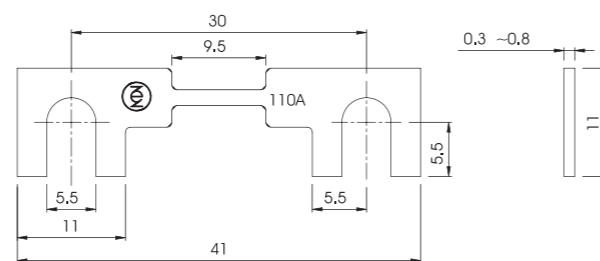
Medium Time Lag

Voltage Rating: DC32V or less

Materials: Zinc Alloy

Complies with DIN 72581/2

- Characteristics of fuses according to use conditions may change.

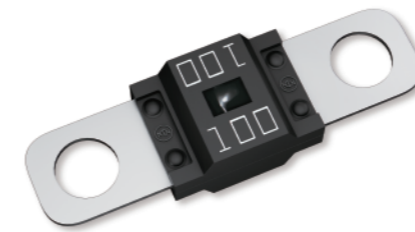


ANS-S

RoHS



BOLT-ON FUSES



Slow Blow

Voltage Rating : DC58V or less

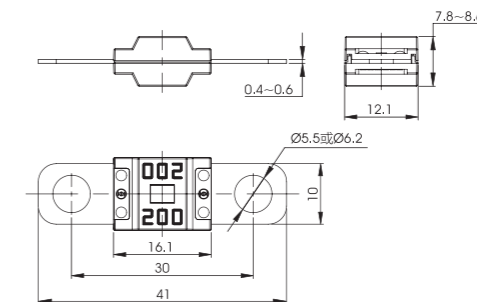
Interrupting Rating: 2000A @58VDC

Operating Temperature Range: -40°C to +125°C

Materials: 1. Copper Alloy
2. Plastic

Complies with ISO 8820-5 / GB/T31465.5

- Characteristics of fuses according to use conditions may change.



TIME-CURRENT CHARACTERISTICS

Test Current	Opening Time		Item No.	Ampere
	Min.	Max.		
100%	∞	---	ANF 30	30 A
125%	100 hrs.	---	ANF 40	40 A
300%	0.1 s	10 s	ANF 50	50 A
600%	0.02 s	1 s	ANF 60	60 A
1000%	0.01 s	0.3 s	ANF 80	80 A
			ANF 100	100 A
			ANF 110	110 A
			ANF 120	120 A
			ANF 150	150 A
			ANF 175	175 A

Test Current	Opening Time		Item No.	Ampere
	Min.	Max.		
130%	1 hr.	---	ANG 25	25 A
250%	---	60 s	ANG 30	30 A
			ANG 40	40 A
			ANG 50	50 A
			ANG 60	60 A
			ANG 80	80 A
			ANG 110	110 A
			ANG 150	150 A
			ANG 175	175 A

TIME-CURRENT CHARACTERISTICS

Item No.	Ampere
ANS-S 30	30 A
ANS-S 40	40 A
ANS-S 50	50 A
ANS-S 60	60 A
ANS-S 70	70 A
ANS-S 80	80 A
ANS-S 100	100 A
ANS-S 125	125 A
ANS-S 150	150 A
ANS-S 175	175 A
ANS-S 200	200 A

Test Current	Opening Time 30 A ~125 A		Opening Time 150 A ~200 A	
	Min.	Max.	Min.	Max.
75%	---	---	100 hrs.	---
100%	100 hrs.	---	---	---
110%	4 hrs.	---	---	---
150%	90 s	3600 s	---	---
200%	3 s	100 s	1 s	15 s
300%	0.3 s	3 s	---	---
350%	---	---	0.3 s	5 s
500%	0.1 s	1 s	---	---
600%	---	---	0.1 s	1 s

Item No.	Ampere
ANS-FW 30	30 A
ANS-FW 40	40 A
ANS-FW 50	50 A
ANS-FW 60	60 A
ANS-FW 70	70 A
ANS-FW 80	80 A
ANS-FW 100	100 A
ANS-FW 125	125 A
ANS-FW 150	150 A
ANS-FW 175	175 A
ANS-FW 200	200 A

ANM

RoHS



BOLT-ON FUSES



Slow Blow

- Voltage Rating: DC32V or less
- Interrupting Rating: 2000A @32VDC
- Operating Temperature Range: -40°C to +125°C
- Materials: 1. Copper Alloy / Zinc Alloy
2. Plastic
- Complies with ISO 8820-5 / GB/T31465.5
- Characteristics of fuses according to use conditions may change.

ANM70V

RoHS



Slow Blow

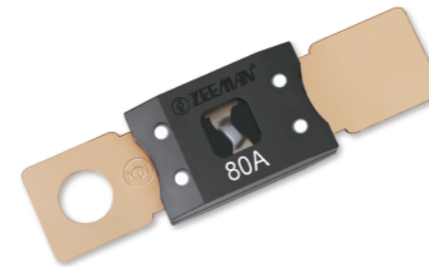
- Voltage Rating: DC70V or less
- Interrupting Rating: 2000A @70VDC
- Operating Temperature Range: -40°C to +125°C
- Materials: 1. Copper Alloy
2. Plastic
- Complies with GB/T31465.5
- Characteristics of fuses according to use conditions may change.

ANM-FW

RoHS



BOLT-ON FUSES

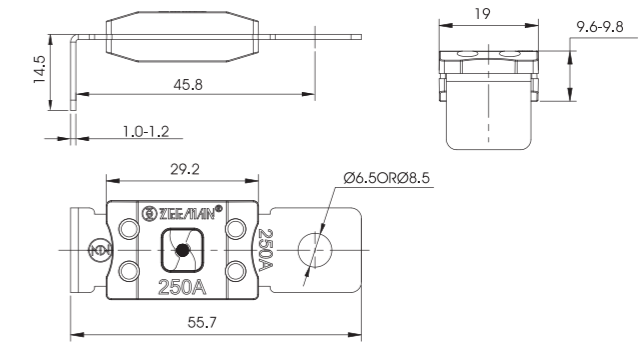
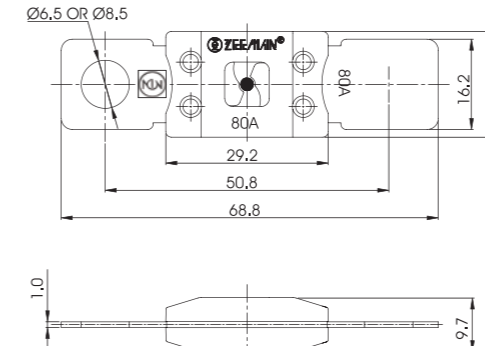
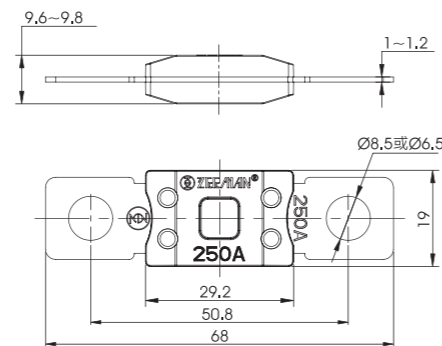
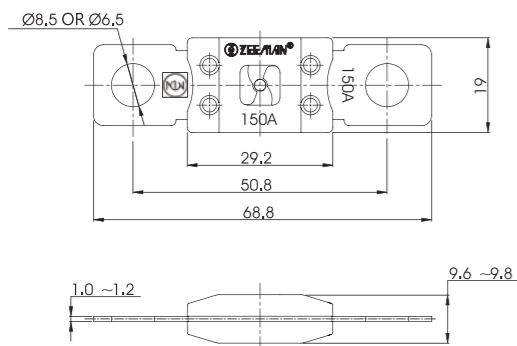


Slow Blow

- Voltage Rating: DC32V or less
- Interrupting Rating: 2000A @32VDC
- Operating Temperature Range: -40°C to +125°C
- Materials: 1. Copper Alloy
2. Plastic
- Characteristics of fuses according to use conditions may change.

ANM-BW

RoHS



TIME-CURRENT CHARACTERISTICS

Test Current	Opening Time	
	Min.	Max.
100%	4 hrs.	---
135%	120 s	1800 s
200%	1 s	15 s
350%	0.3 s	5 s
600%	0.1 s	1 s

Item No.	Ampere
ANM 40	40 A
ANM 50	50 A
ANM 60	60 A
ANM 70	70 A
ANM 80	80 A
ANM 100	100 A
ANM 125	125 A
ANM 150	150 A
ANM 175	175 A
ANM 200	200 A
ANM 225	225 A
ANM 250	250 A
ANM 300	300 A
ANM 350	350 A
ANM 400	400 A
ANM 450	450 A
ANM 500	500 A

Test Current	Opening Time 40 A ~ 250 A		Opening Time 300 A ~ 500 A	
	Min.	Max.	Min.	Max.
75%	---	---	4 hrs.	---
100%	4 hrs.	---	---	---
135%	120 s	1800 s	---	---
200%	1 s	15 s	1 s	15 s
350%	0.3 s	5 s	0.5 s	5 s
600%	0.1 s	1 s	0.1 s	1 s

Item No.	Ampere
ANM70V 40	40 A
ANM70V 50	50 A
ANM70V 60	60 A
ANM70V 70	70 A
ANM70V 80	80 A
ANM70V 100	100 A
ANM70V 125	125 A
ANM70V 150	150 A
ANM70V 175	175 A
ANM70V 200	200 A
ANM70V 225	225 A
ANM70V 250	250 A
ANM70V 300	300 A
ANM70V 350	350 A
ANM70V 400	400 A
ANM70V 450	450 A
ANM70V 500	500 A

TIME-CURRENT CHARACTERISTICS

Item No.	Ampere
ANM-FW 40	40 A
ANM-FW 50	50 A
ANM-FW 60	60 A
ANM-FW 70	70 A
ANM-FW 80	80 A
ANM-FW 100	100 A
ANM-FW 125	125 A
ANM-FW 150	150 A
ANM-FW 175	175 A
ANM-FW 200	200 A
ANM-FW 225	225 A
ANM-FW 250	250 A

Test Current	Opening Time	
	Min.	Max.
100%	4 hrs.	---
135%	120 s	1800 s
200%	1 s	15 s
350%	0.3 s	5 s
600%	0.1 s	1 s

Item No.	Ampere
ANM-BW 40	40 A
ANM-BW 50	50 A
ANM-BW 60	60 A
ANM-BW 70	70 A
ANM-BW 80	80 A
ANM-BW 100	100 A
ANM-BW 125	125 A
ANM-BW 150	150 A
ANM-BW 175	175 A
ANM-BW 200	200 A
ANM-BW 225	225 A
ANM-BW 250	250 A
ANM-BW 300	300 A

NH51B

RoHS



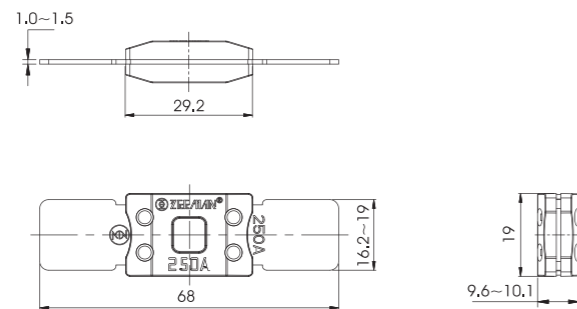
BOLT-ON FUSES



Slow Blow

- Voltage Rating : DC32V or less
- Interrupting Rating: 2000A @32VDC
- Operating Temperature Range: -40°C to +125°C
- Materials: 1. Copper Alloy
2. Plastic

• Characteristics of fuses according to use conditions may change.



TIME-CURRENT CHARACTERISTICS

Test Current	Opening Time	
	Min.	Max.
75%	---	---
100%	4 hrs.	---
135%	120 s	1800 s
200%	1 s	15 s
350%	0.3 s	5 s
600%	0.1 s	1 s

Item No.	Ampere
NH51B 40	40 A
NH51B 50	50 A
NH51B 60	60 A
NH51B 70	70 A
NH51B 80	80 A
NH51B 100	100 A
NH51B 125	125 A
NH51B 150	150 A
NH51B 175	175 A
NH51B 200	200 A
NH51B 225	225 A
NH51B 250	250 A
NH51B 300	300 A
NH51B 350	350 A



BOLT-ON FUSES

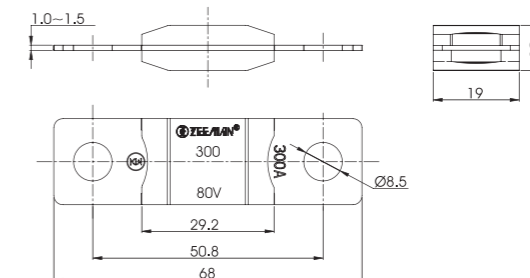


Slow Blow

- Voltage Rating : DC80V or less
- Interrupting Rating: 2000A @80VDC
- Operating Temperature Range: -40°C to +125°C
- Materials: 1. Copper Alloy
2. Ceramic

Complies with ISO 8820-5 / GB/T31465.5

• Characteristics of fuses according to use conditions may change.



TIME-CURRENT CHARACTERISTICS

Test Current	Opening Time 40 A ~250 A		Opening Time 300 A ~500 A	
	Min.	Max.	Min.	Max.
75%	---	---	4 hrs.	---
100%	4 hrs.	---	---	---
135%	120 s	1800 s	---	---
200%	1 s	15 s	1 s	15 s
350%	0.3 s	5 s	0.5 s	5 s
600%	0.1 s	1 s	0.1 s	1 s

Item No.	Ampere
ANMH 40	40 A
ANMH 50	50 A
ANMH 60	60 A
ANMH 70	70 A
ANMH 80	80 A
ANMH 100	100 A
ANMH 125	125 A
ANMH 150	150 A
ANMH 175	175 A
ANMH 200	200 A
ANMH 225	225 A
ANMH 250	250 A
ANMH 300	300 A
ANMH 350	350 A
ANMH 400	400 A
ANMH 450	450 A
ANMH 500	500 A

ANMH

RoHS

ANL

RoHS



BOLT-ON FUSES

ANL

RoHS



Medium Time Lag

Voltage Rating: DC32V or less

Materials: 1. Copper Alloy
2. Plastic

Complies with DIN 43560/1

- Characteristics of fuses according to use conditions may change.



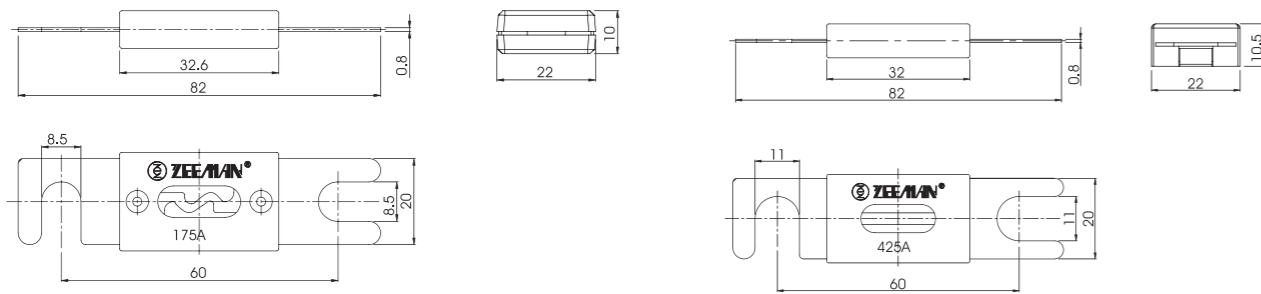
Medium Time Lag

Voltage Rating: DC80V or less

Materials: 1. Copper Alloy
2. Ceramic

Complies with DIN 43560/1

- Characteristics of fuses according to use conditions may change.



TIME-CURRENT CHARACTERISTICS

Test Current	Opening Time	
	Min.	Max.
150%	1 hr	---
220%	---	60 s
250%	0.8 s	10 s
400%	0.2 s	2 s

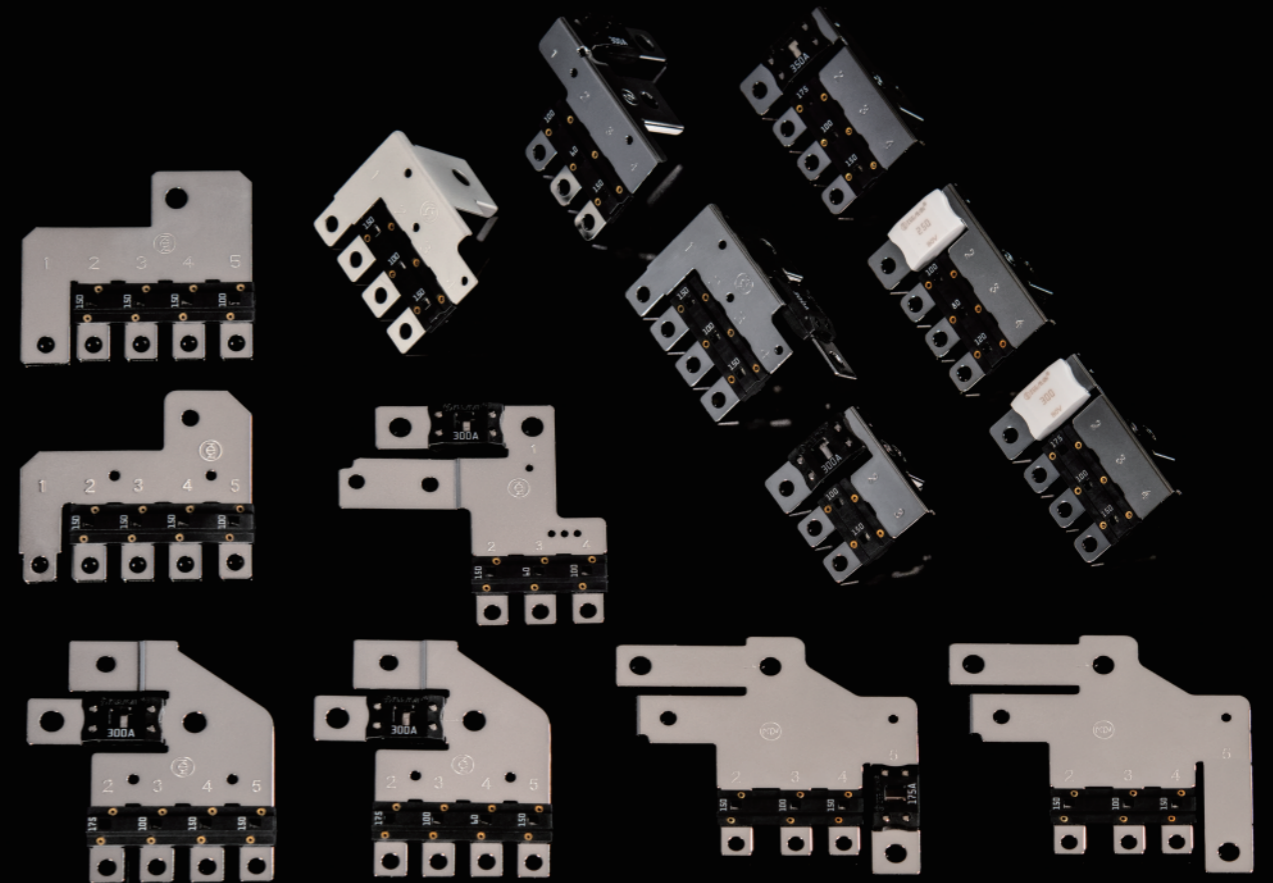
Item No.	Ampere
ANL 25	25 A
ANL 30	30 A
ANL 35	35 A
ANL 40	40 A
ANL 50	50 A
ANL 60	60 A
ANL 70	70 A
ANL 80	80 A
ANL 100	100 A
ANL 125	125 A
ANL 130	130 A
ANL 150	150 A
ANL 175	175 A
ANL 200	200 A

Test Current	Opening Time	
	Min.	Max.
160%	60 s	---
220%	---	60 s
250%	0.8 s	10 s
400%	0.2 s	2 s

Item No.	Ampere
ANL 225	225 A
ANL 250	250 A
ANL 275	275 A
ANL 300	300 A
ANL 325	325 A
ANL 355	355 A
ANL 400	400 A
ANL 425	425 A
ANL 500	500 A

R&D

We are capable to provide professional custom-made fuse and fuse accessories.
For any further details, please contact us. We would be elaborate to provide further information if required.



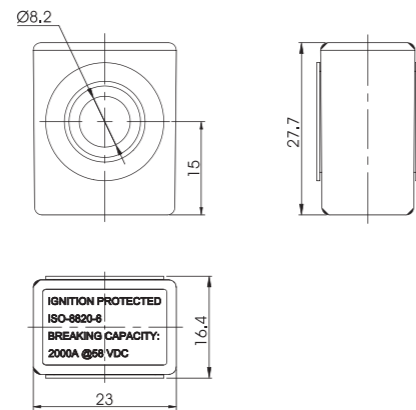
SBT

RoHS



Slow Blow

- Voltage Rating : DC58V or less
- Interrupting Rating: 2000A @58VDC
- Operating Temperature Range: -40°C to +125°C
- Materials : 1. Copper Alloy 2. Ceramic 3. Plastic
- Complies with ISO 8820-6
- Characteristics of fuses according to use conditions may change.



TIME-CURRENT CHARACTERISTICS

Test Current	Opening Time	
	Min.	Max.
100%	100 hrs.	---
135%	5 s	1800 s
150%	1 s	600 s
200%	0.2 s	60 s
350%	0.03 s	1 s
600%	0.01 s	0.2 s

Item No.	Ampere
SBT 50	50 A
SBT 75	75 A
SBT 100	100 A
SBT 125	125 A
SBT 150	150 A
SBT 175	175 A
SBT 200	200 A
SBT 250	250 A
SBT 300	300 A

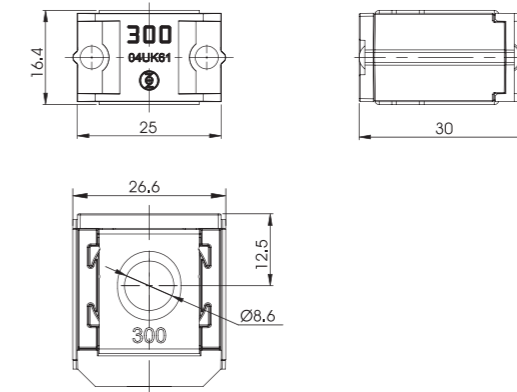
SBM

RoHS



Slow Blow

- Voltage Rating: DC58V or less
- Interrupting Rating: 2000A @58VDC
- Operating Temperature Range: -40°C to +125°C
- Materials: 1. Copper Alloy 2. Plastic 3. Ceramic
- Characteristics of fuses according to use conditions may change.



TIME-CURRENT CHARACTERISTICS

Test Current	Opening Time 40 A ~250 A		Opening Time 300 A ~500 A		Opening Time 600 A	
	Min.	Max.	Min.	Max.	Min.	Max.
75%	---	---	4 hrs.	---	4 hrs.	---
100%	4 hrs.	---	---	---	---	---
135%	120 s	1800 s	---	---	---	---
200%	1 s	15 s	1 s	15 s	1 s	40 s
350%	0.3 s	5 s	0.5 s	5 s	0.5 s	5 s
500%	---	---	---	---	0.1 s	1 s
600%	0.1 s	1 s	0.1 s	1 s	---	---

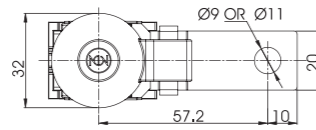
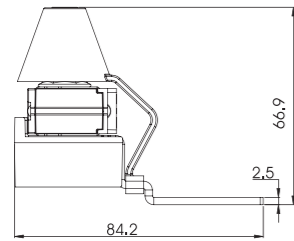
Item No.	Ampere
SBM 40	40 A
SBM 60	60 A
SBM 80	80 A
SBM 100	100 A
SBM 125	125 A
SBM 150	150 A
SBM 175	175 A
SBM 200	200 A
SBM 225	225 A
SBM 250	250 A
SBM 300	300 A
SBM 350	350 A
SBM 400	400 A
SBM 500	500 A
SBM 600	600 A



SBM-B

RoHS

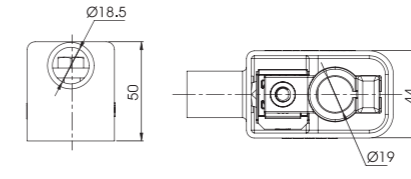
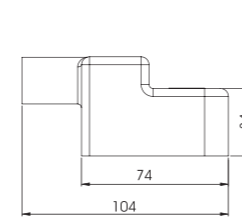
Insulating Body: Plastic
Applicable: For SBM 40A ~ 600A



SBM-T

RoHS

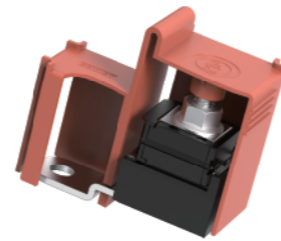
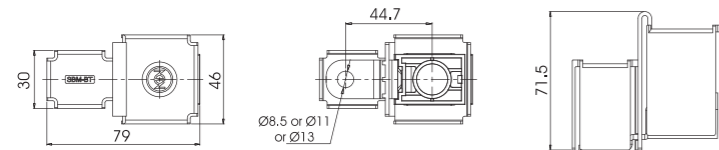
Insulating Body: Plastic
Applicable: For SBM 40A ~ 600A



SBM-BT

RoHS

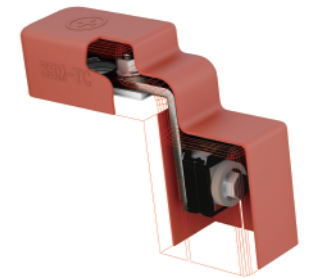
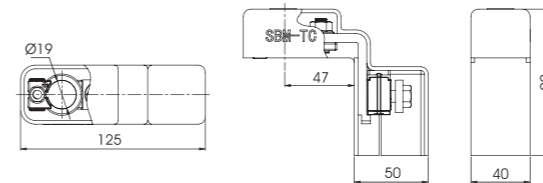
Insulating Body: Plastic
Applicable: For SBM 40A ~ 600A



SBM-TC

RoHS

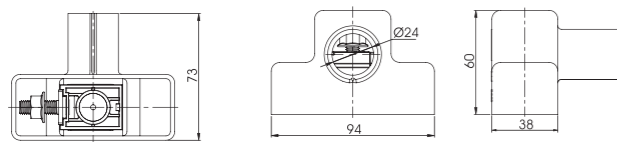
Insulating Body: Plastic
Applicable: For SBM 40A ~ 600A



SBM-D

RoHS

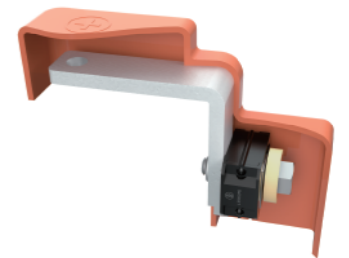
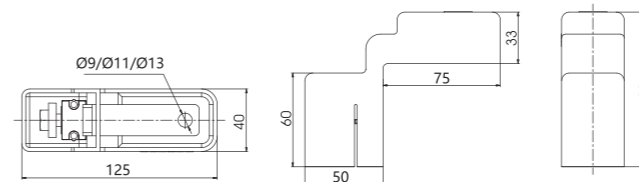
Insulating Body: Plastic
Applicable: For SBM 40A ~ 600A



SBM-TC-L

RoHS

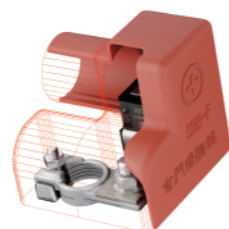
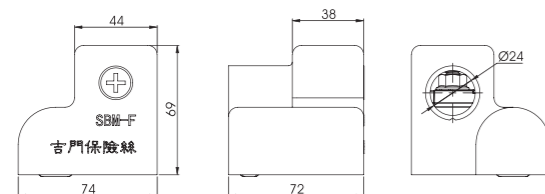
Insulating Body: Plastic
Applicable: For SBM 40A ~ 600A



SBM-F

RoHS

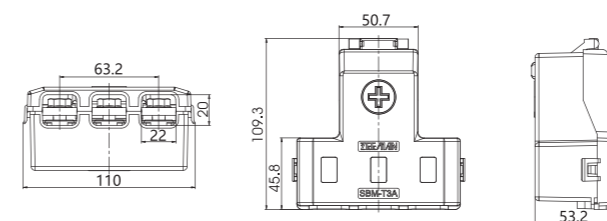
Insulating Body: Plastic
Applicable: For SBM 40A ~ 600A



SBM-T3A

RoHS

Insulating Body: Plastic
Applicable: For SBM 40A ~ 600A

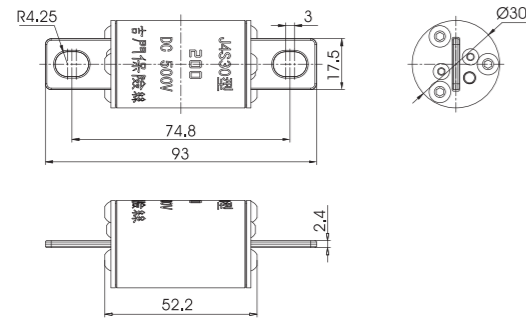


J4S30

RoHS



High Voltage
Voltage Rating: DC500V or less
Interrupting Rating: 16KA @500V DC
Operating Temperature Range: -40°C to +125°C
Materials: 1. Copper Alloy 2. Ceramic
 • Characteristics of fuses according to use conditions may change.



Test Current	Opening Time	
	Min.	Max.
110%	4 hrs.	---
200%	5 s	100 s
350%	0.5 s	15 s
500%	---	1 s

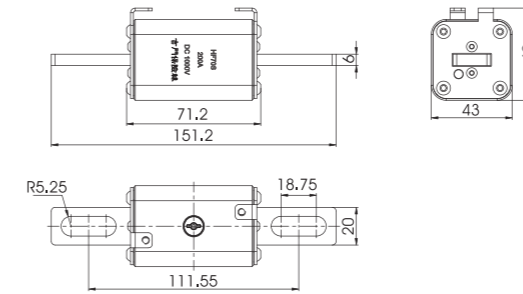
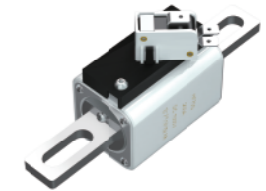
Item No.	Ampere
J4S30 150	150 A
J4S30 175	175 A
J4S30 200	200 A
J4S30 225	225 A
J4S30 250	250 A
J4S30 300	300 A

HF70S

RoHS



High Voltage
Voltage Rating: DC 1000V / AC 1300V or less
Interrupting Rating: 150KA @1000V DC or 1000KA@1300V AC
Operating Temperature Range: -55°C to +125°C
Materials: 1. Copper Alloy 2. Ceramic
 Microswitch configuration can be customized according to requirements.
 Complies with IEC6029-4
 • Characteristics of fuses according to use conditions may change.



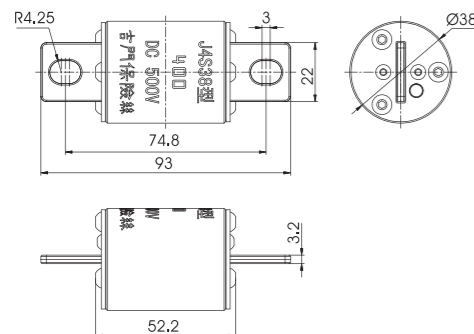
Test Current	Pre-arc Time Threshold Value			
	I _{min} (10s)	I _{max} (5s)	I _{min} (0.1s)	I _{max} (0.1s)
50 A	125	250	350	610
63 A	160	320	450	820
80 A	210	425	610	1100
100 A	290	580	820	1450
125 A	355	715	1100	1910
160 A	460	950	1450	2590
200 A	610	1250	1910	3420
250 A	750	1620	2590	4500
310 A	1050	2200	3420	6000

J4S38

RoHS



High Voltage
Voltage Rating: DC500V or less
Interrupting Rating: 16KA @500V DC
Operating Temperature Range: -40°C to +125°C
Materials: 1. Copper Alloy 2. Ceramic
 • Characteristics of fuses according to use conditions may change.



Test Current	Opening Time	
	Min.	Max.
110%	4 hrs.	---
200%	5 s	100 s
350%	0.5 s	15 s
500%	---	1 s

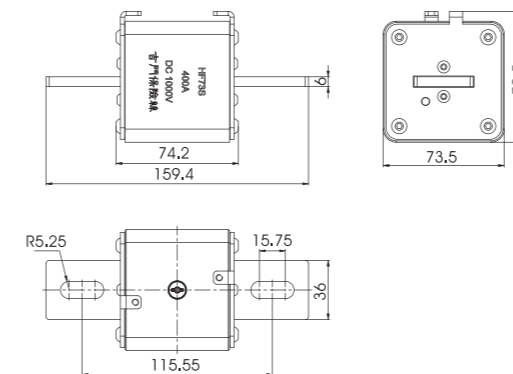
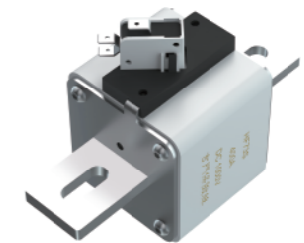
Item No.	Ampere
J4S38 200	200 A
J4S38 225	225 A
J4S38 250	250 A
J4S38 275	275 A
J4S38 300	300 A
J4S38 350	350 A
J4S38 400	400 A
J4S38 450	450 A
J4S38 500	500 A
J4S38 600	600 A

HF73S

RoHS



High Voltage
Voltage Rating: DC 1000V / AC 1300V or less
Interrupting Rating: 150KA @1000V DC or 1000KA@1300V AC
Operating Temperature Range: -55°C to +125°C
Materials: 1. Copper Alloy 2. Ceramic
 Microswitch configuration can be customized according to requirements.
 Complies with IEC6029-4
 • Characteristics of fuses according to use conditions may change.



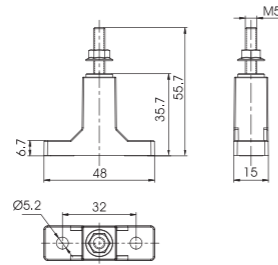
Test Current	Pre-arc Time Threshold Value			
	I _{min} (10s)	I _{max} (5s)	I _{min} (0.1s)	I _{max} (0.1s)
315 A	1050	2200	3420	6000
400 A	1420	2840	4500	8060
500 A	1780	3800	6000	10600
600 A	2200	5100	8060	14140



HVL15T

Insulating Body: Plastic

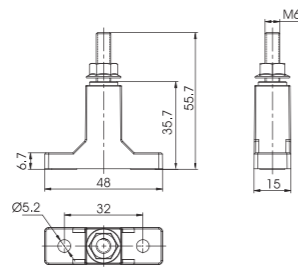
- Use individually as a terminal block.
- Use in pairs as a high voltage fuse holder.



HVL15S

Insulating Body: Plastic

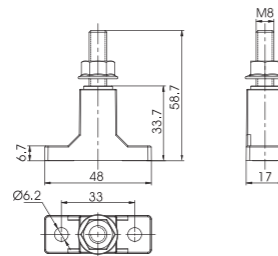
- Use individually as a terminal block.
- Use in pairs as a high voltage fuse holder.



HVL17S

Insulating Body: Plastic

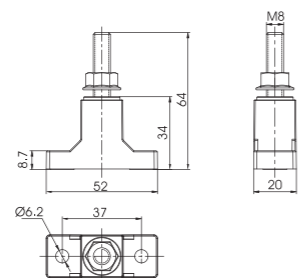
- Use individually as a terminal block.
- Use in pairs as a high voltage fuse holder.



HVL20S

Insulating Body: Plastic

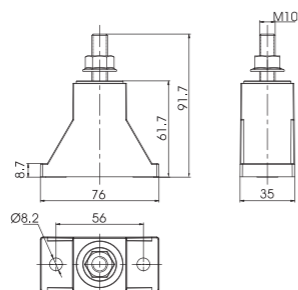
- Use individually as a terminal block.
- Use in pairs as a high voltage fuse holder.



HVL35S

Insulating Body: Plastic

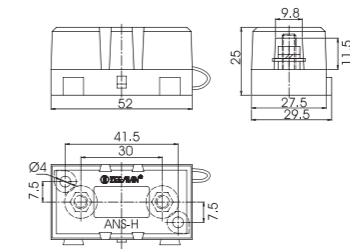
- Use individually as a terminal block.
- Use in pairs as a high voltage fuse holder.



ANS-H

Insulating Body: Plastic

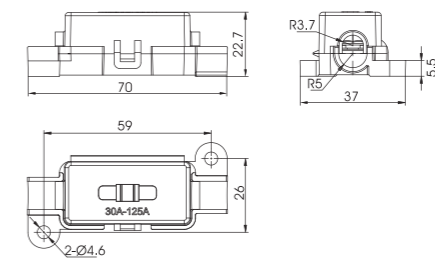
- Applicable: For ANF, ANG, ANS-S
- The fuse holder is capable of functioning individually or in multiple sets.



ANS-H12

Insulating Body: Plastic

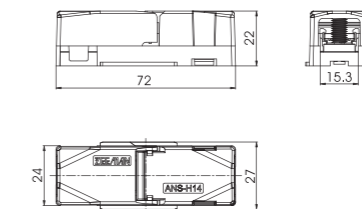
- Applicable: For ANS-S



ANS-H14

Insulating Body: Plastic

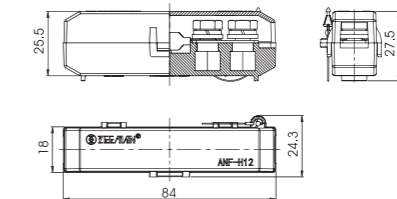
- Applicable: For ANS-S



ANF-H12

Insulating Body: Plastic

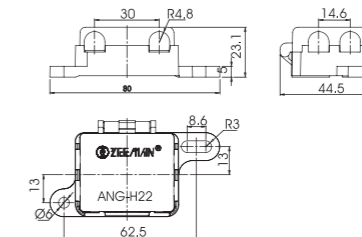
- Applicable: For ANF, ANG, ANS-S



ANG-H22

Insulating Body: Plastic

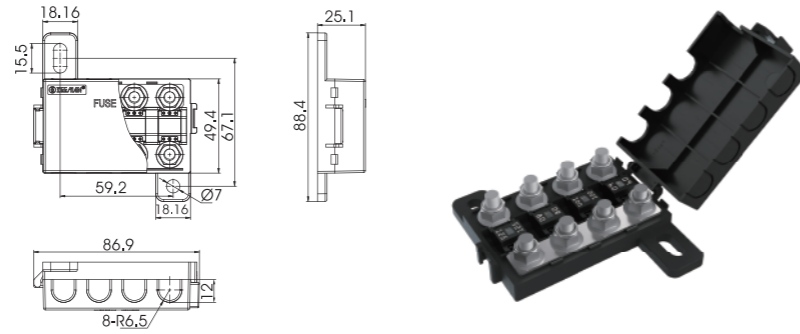
- Applicable: For ANF, ANG, ANS-S





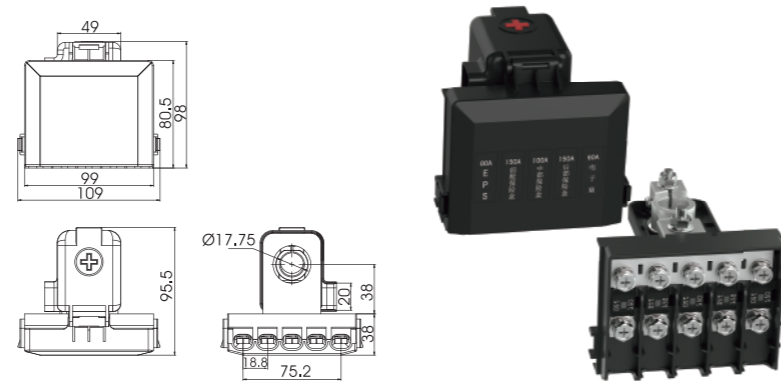
ANS-H4C

Insulating Body: Plastic
Applicable: For ANS-S



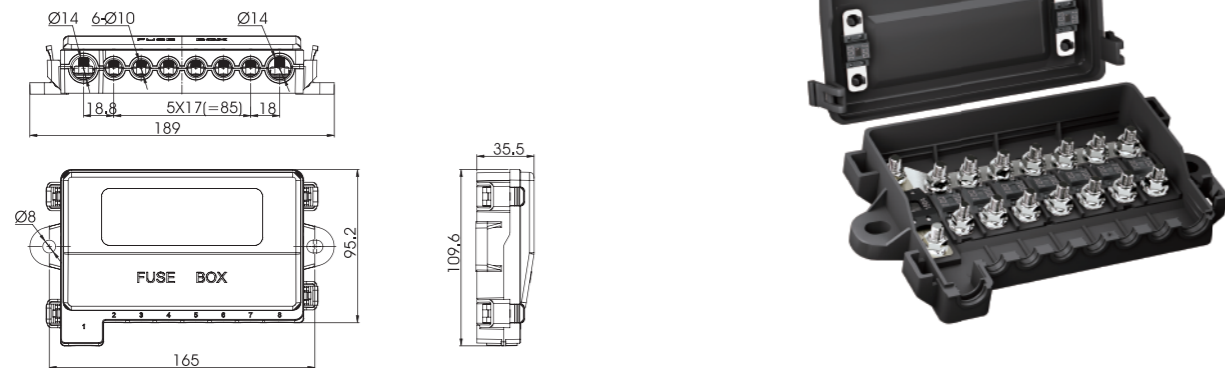
ANS-H5B

Insulating Body: Plastic
Applicable: For ANS-S



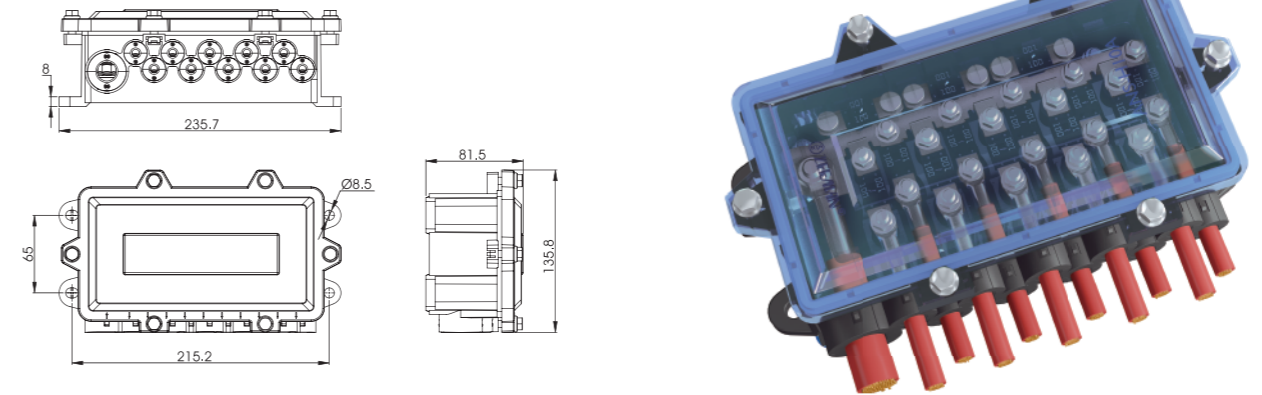
ZC-1M7S

Insulating Body: Plastic
Applicable: For ANS-S, ANM, ANMH



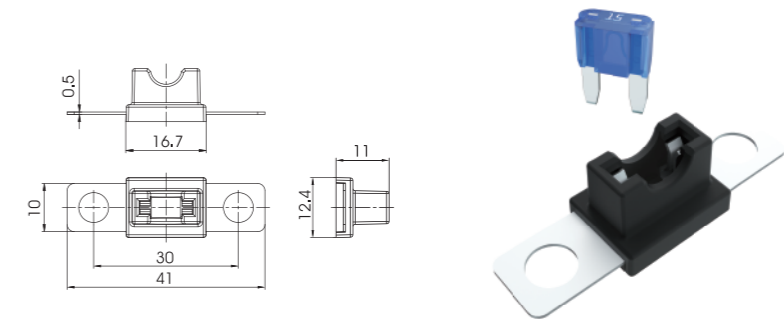
ANS-H10A

Insulating Body: 1. Plastic 2. Rubber
Applicable: For ANS-S
Input CSA.: $\leq 90 \text{ mm}^2$
Output CSA.: $\leq 25 \text{ mm}^2$



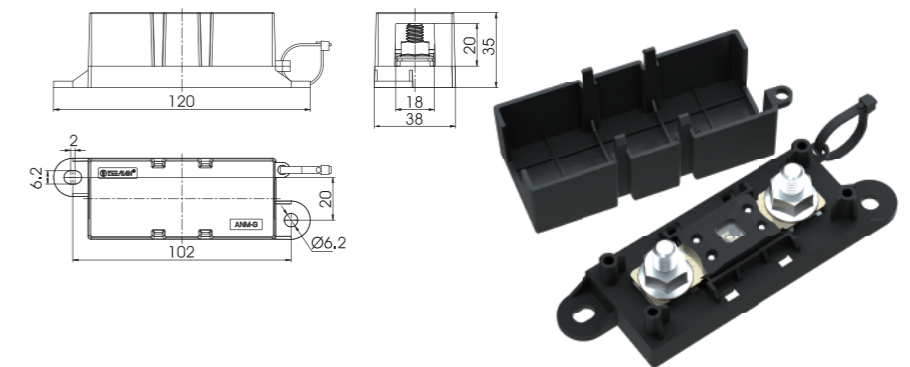
ZC-015

Insulating Body: Plastic
Applicable: For ATN 2A~30A



ANM-G

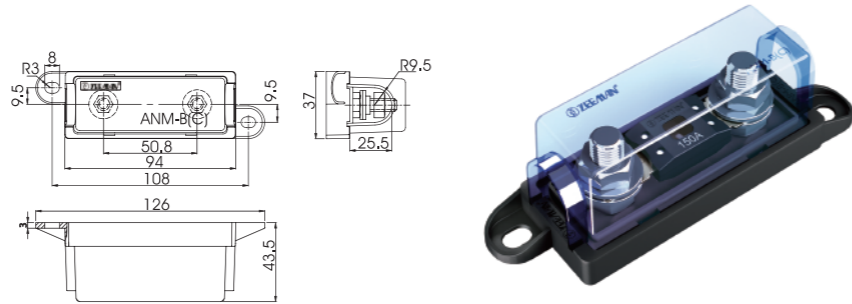
Insulating Body: Plastic
Applicable: For ANM, ANMH





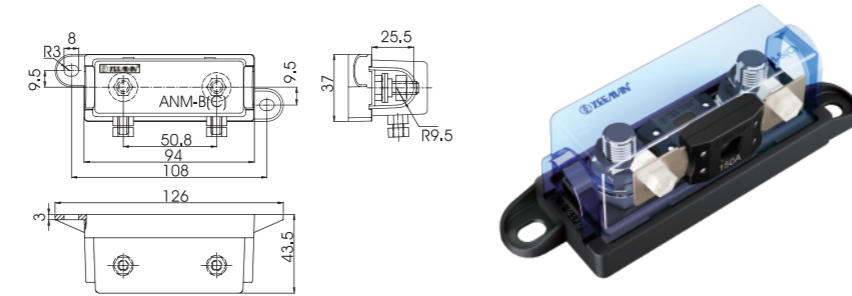
ANM-B

Insulating Body: Plastic
Applicable: For ANM- ANMH



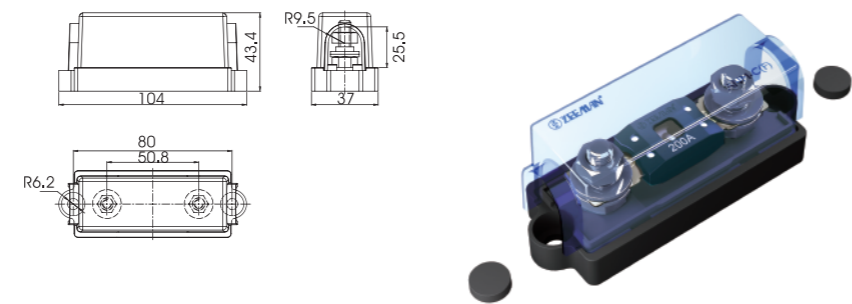
ANM-C

Insulating Body: Plastic
Applicable: For ANM- ANMH
One spare fuse can be equipped on cover.



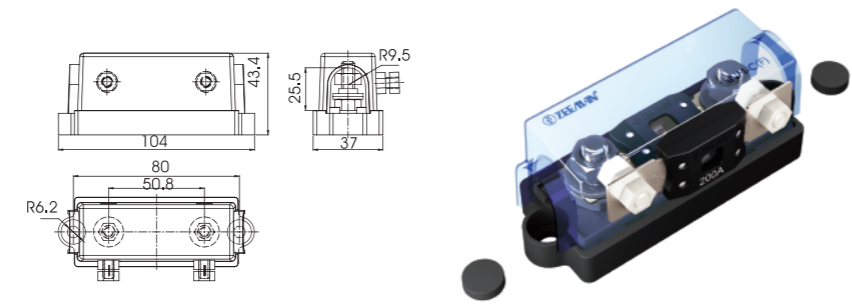
ANM-E

Insulating Body: Plastic
Applicable: For ANM- ANMH



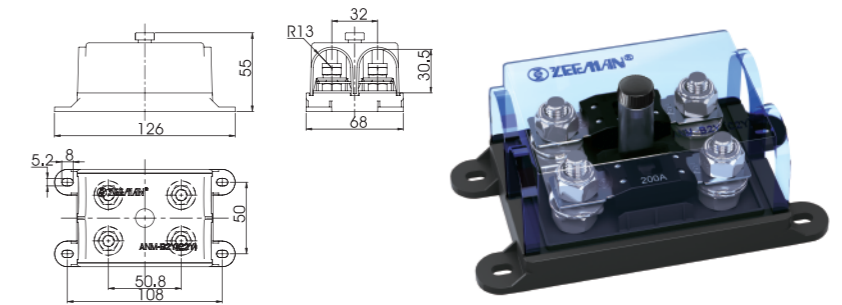
ANM-F

Insulating Body: Plastic
Applicable: For ANM- ANMH
One spare fuse can be equipped on cover.



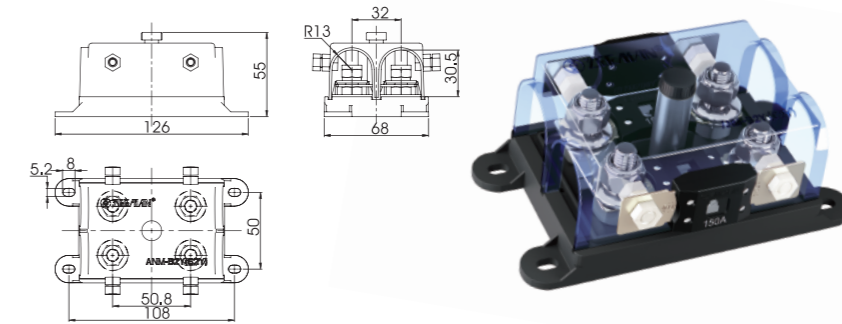
ANM-B2Y

Insulating Body: 1. Plastic 2. Rubber
Applicable: For ANM- ANMH



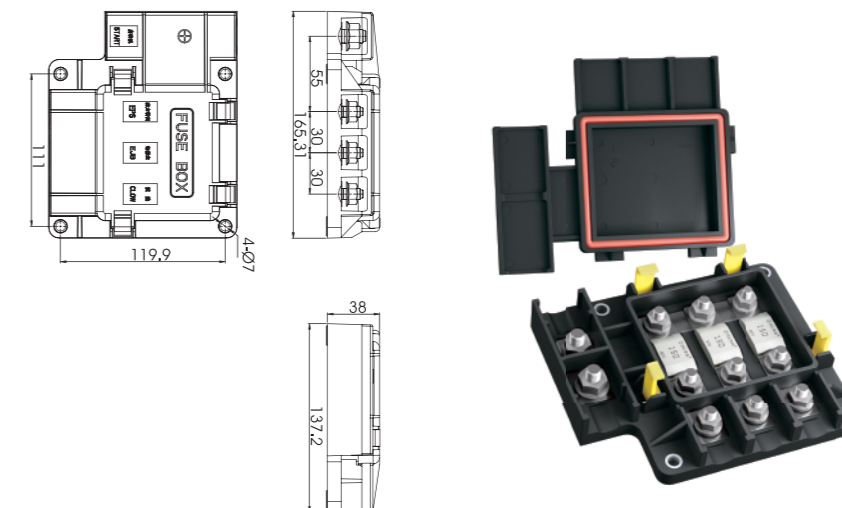
ANM-C2Y

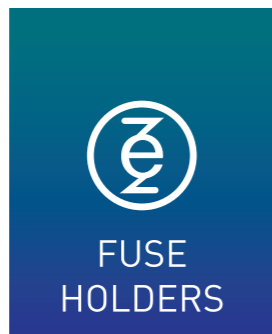
Insulating Body: Plastic
Applicable: For ANM- ANMH
Two spare fuses can be equipped on cover.



ANMH-H3

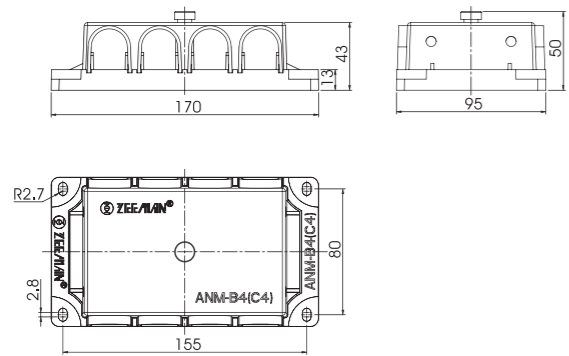
Insulating Body: Plastic
Operating Temperature Range:
-40 C to +85 C
IP Rating: IP69- IP69K
Applicable: For ANM- ANMH





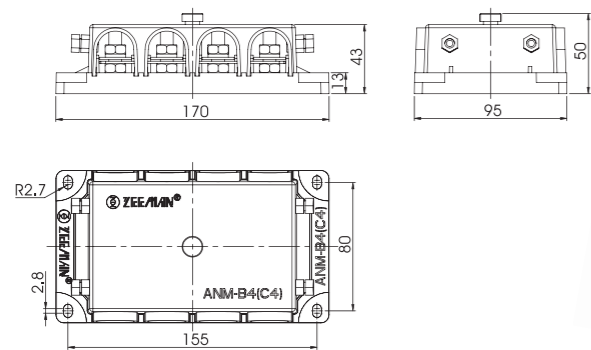
ANM-B4

Insulating Body: 1. Plastic
Applicable: For ANM、ANMH



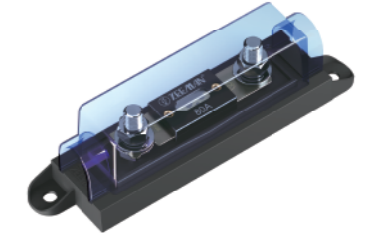
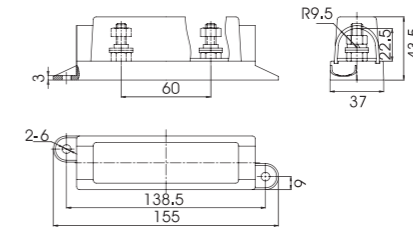
ANM-C4

Insulating Body: Plastic
Applicable: For ANM、ANMH
Two spare fuses can be equipped on cover.



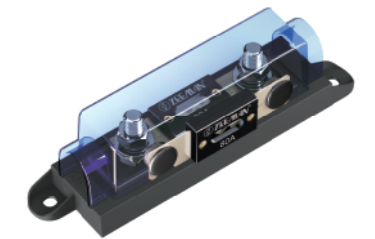
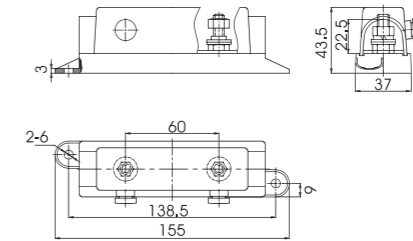
BANL-B

Insulating Body: Plastic
Applicable: For ANL



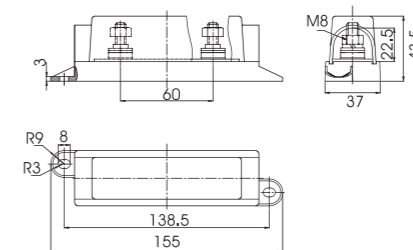
BANL-C

Insulating Body: Plastic
Applicable: For ANL
One spare fuse can be equipped on cover.



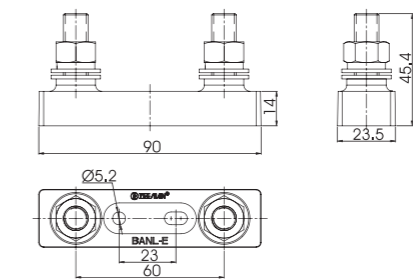
BANL-F

Insulating Body: Plastic
Applicable: For ANL



BANL-E

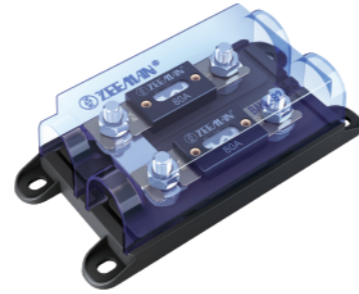
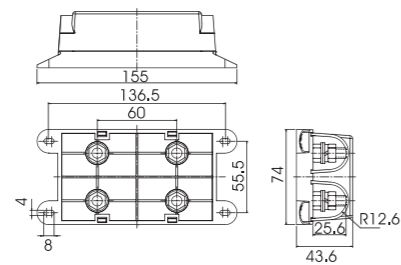
Insulating Body: Plastic
Applicable: For ANL





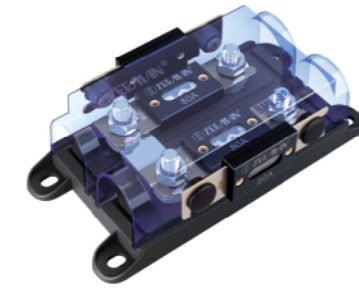
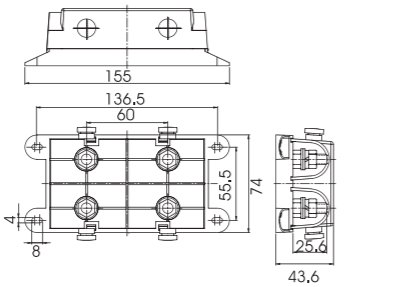
BANL-B2

Insulating Body: Plastic
Applicable: For ANL



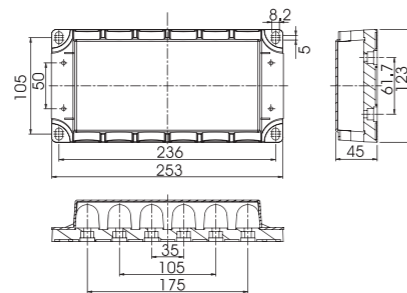
BANL-C2

Insulating Body: Plastic
Applicable: For ANL
Two spare fuses can be equipped on cover.



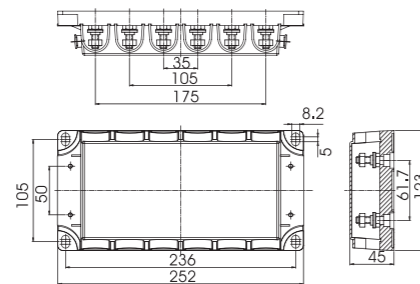
BANL-B6

Insulating Body: Plastic
Applicable: For ANL



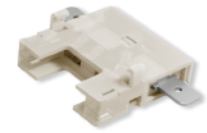
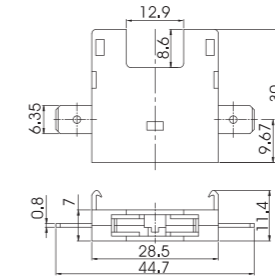
BANL-C6

Insulating Body: Plastic
Applicable: For ANL
Two spare fuses can be equipped on cover.



ZC-2012

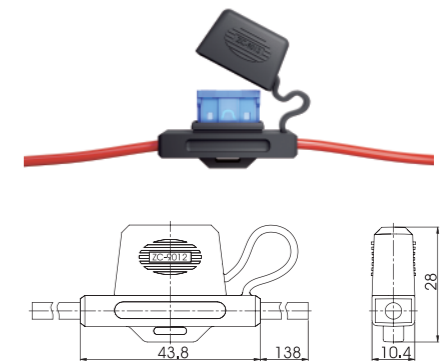
BLADE FUSE HOLDER
Insulating Body: Plastic
Applicable: For ATS Fuse 1A ~ 20A



ZC-9012

Splash-waterproof Fuse Holder
Insulating Body: Plastic
Applicable: For ATS Fuse 1A ~ 30A

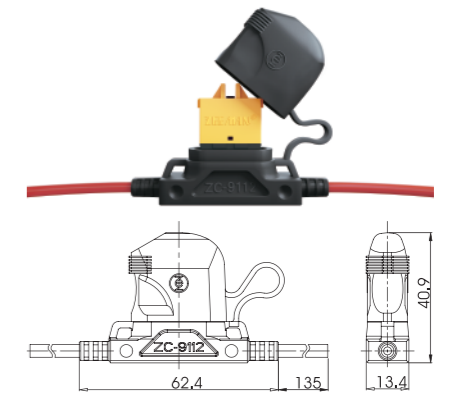
Item No.	Wire: UL 1015		
	AWG	Length	Color
ZC-9012A	#12	30 CM	Red
ZC-9012B	#14		
ZC-9012C	#16		
ZC-9012D	#18		



ZC-9112

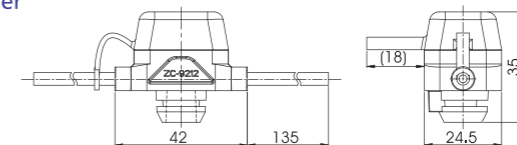
Splash-waterproof Fuse Holder
Insulating Body: Plastic
Applicable: For ATS, CBK

Item No.	Wire: UL 1015		
	AWG	Length	Color
ZC-9112A	#12	30 CM	Red
ZC-9112B	#14		
ZC-9112C	#16		
ZC-9112D	#18		



ZC-9212

Splash-waterproof Fuse Holder
Insulating Body: Plastic
Applicable: For ATS 1A~40A
Wire Nominal Cross Section: FLYW-C 1.0~4.0
Red wire with the default length is 30 cm.





ZC- 6012

LOW PROFILE MINI FUSE HOLDER
 Splash-waterproof Type
 Insulating Body: Plastic
 Applicable: For ATT Fuse 2A ~ 30A

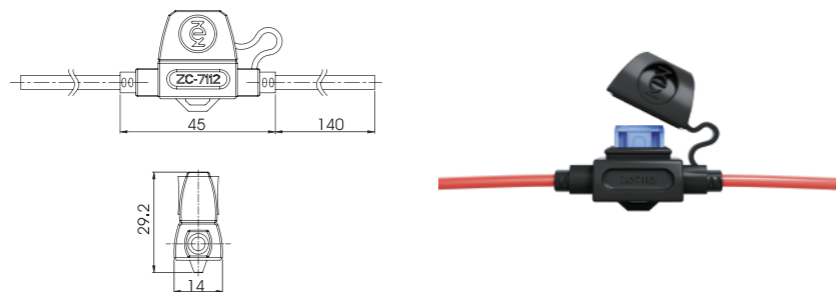
Item No.	Wire: UL 1015		
	AWG	Length	Color
ZC-6012A	#12	30 CM	Red
ZC-6012C	#16		



ZC- 7112

MINI FUSE HOLDER
 Splash-waterproof Type
 Insulating Body: Plastic
 Applicable: For ATN Fuse 2A ~ 30A

Item No.	Wire: UL 1015		
	AWG	Length	Color
ZC-7112A	#12	30 CM	Red
ZC-7112B	#14		
ZC-7112C	#16		



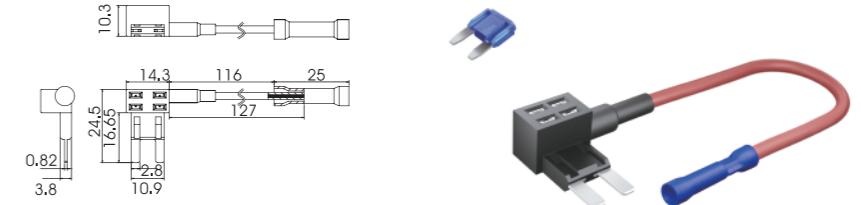
ZC-8012

MAXI FUSE HOLDER
 Splash-waterproof Type
 Insulating Body: Plastic
 Applicable: For ATM Fuse 20A ~ 80A
 Wire: UL #8 AWG, Length 30cm, Red



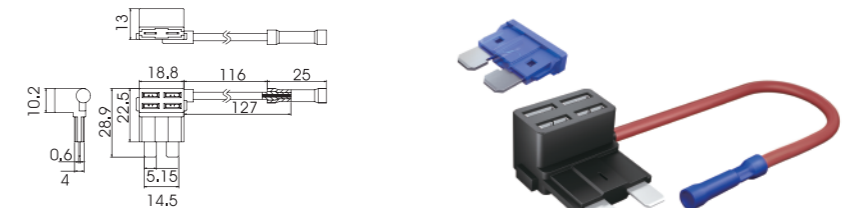
ZC-001C

FUSE HOLDER
 Insulating Body: Plastic
 Applicable: For ATN 2A ~ 15A
 Wire: UL 1015 #16 AWG,
 Length 127mm, Red



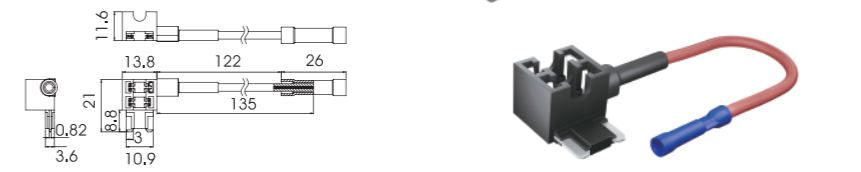
ZC-002C

FUSE HOLDER
 Insulating Body: Plastic
 Applicable: For ATS 1A ~ 15A
 Wire: UL 1015 #16 AWG,
 Length 127mm, Red



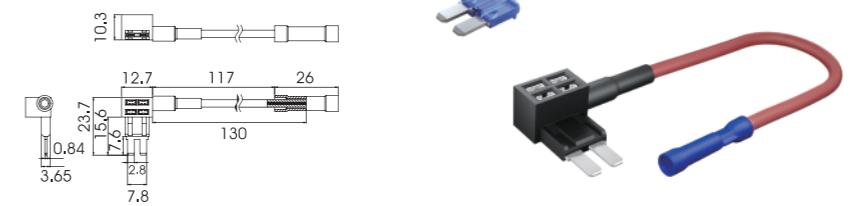
ZC-003C

FUSE HOLDER
 Insulating Body: Plastic
 Applicable: For ATT 2A ~ 15A
 Wire: UL 1015 #16 AWG,
 Length 135mm, Red



ZC-004C

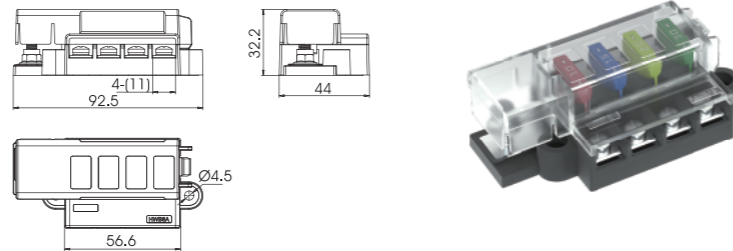
FUSE HOLDER
 Insulating Body: Plastic
 Applicable: For ATA 2A ~ 15A
 Wire: UL 1015 #16 AWG,
 Length 130mm, Red





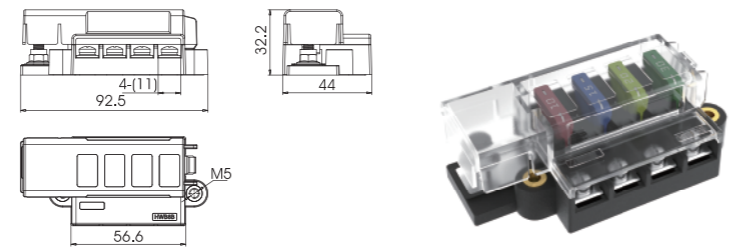
HWB8A

4 Ways Fuse Block
 Insulating Body: Plastic
 Applicable: For ATS 1A-40A



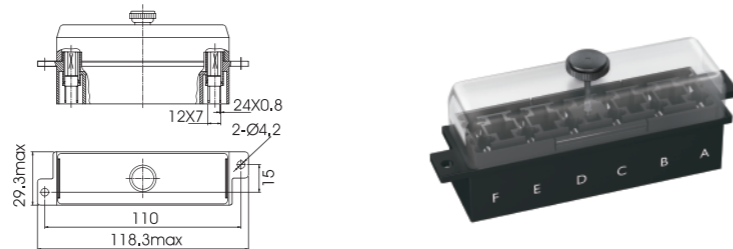
HWB8B

4 Ways Fuse Block
 Insulating Body: Plastic
 Applicable: For ATS 1A-40A



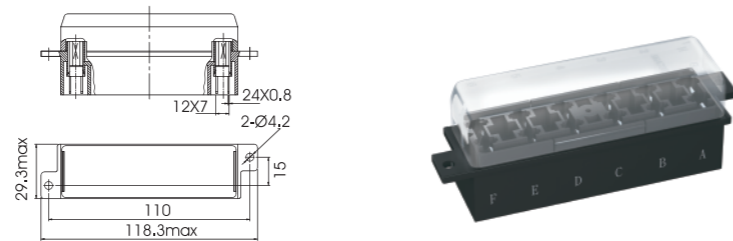
HG-4735-S6B

6 Ways Fuse Block
 Insulating Body: Plastic
 Applicable: For ATS 1A-30A



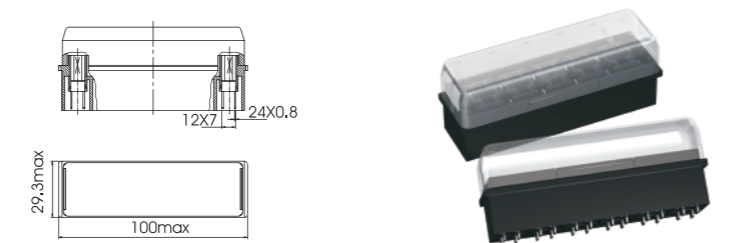
HG-4735-S6C

6 Ways Fuse Block
 Insulating Body: Plastic
 Applicable: For ATS 1A-30A



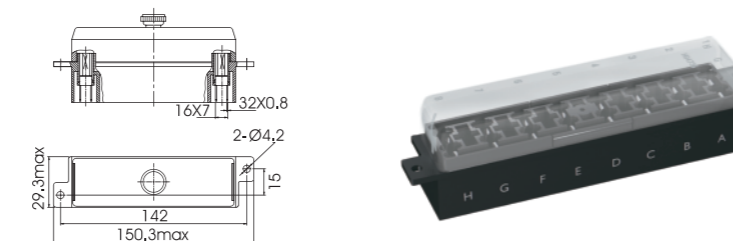
HG-4735-S6D

6 Ways Fuse Block
 Insulating Body: Plastic
 For PCB
 Applicable: For ATS 1A-30A



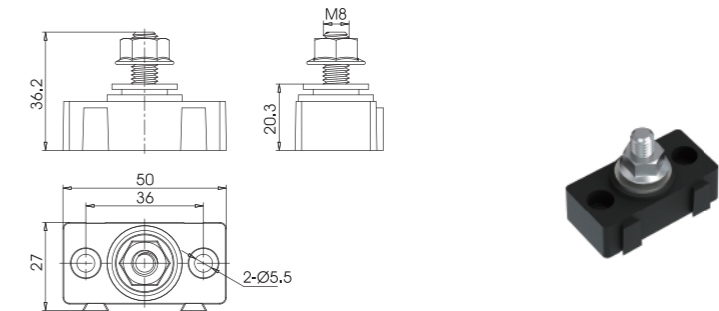
HG-4735-S8C

8 Ways Fuse Block
 Insulating Body: Plastic
 Applicable: For ATS 1A-30A



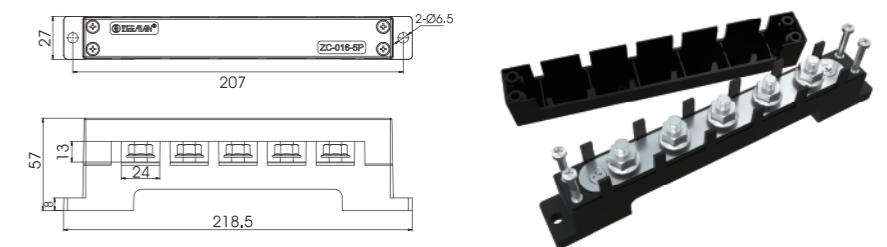
ZC-016

Insulating Body: Plastic
 Ⓞ Used for circuit grounding or providing a power node.
 Ⓞ When it used in splicing, flat washers or busbars can be optionally equipped.



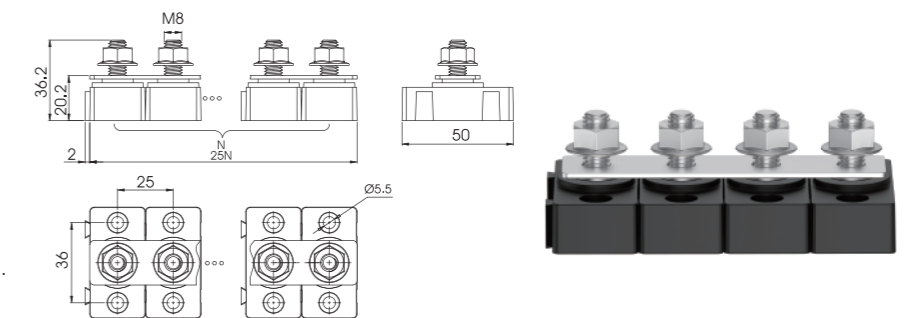
ZC-016-5P

Insulating Body: Plastic
 Ⓞ Used for circuit grounding or providing a power node.



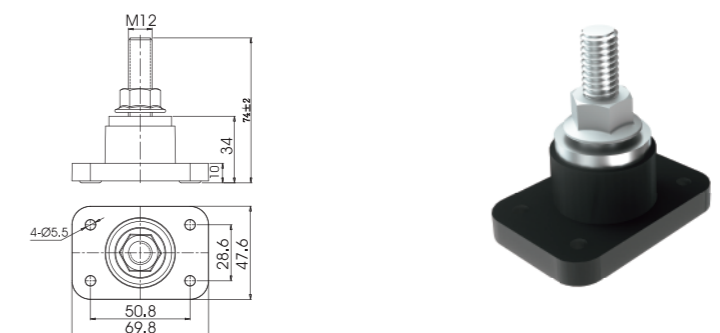
ZC-016-NP

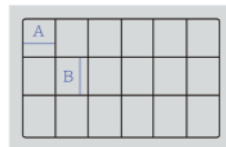
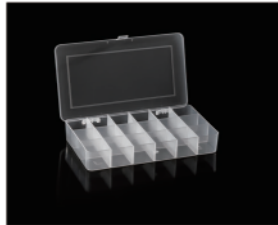
Insulating Body: Plastic
 Applicable: ZC-016-2P,
 ZC-016-3P,
 ZC-016-4P,
 ZC-016-6P, etc.



ZC-017

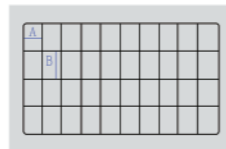
Insulating Body: Plastic
 Ⓞ Used for circuit grounding or providing a power node.





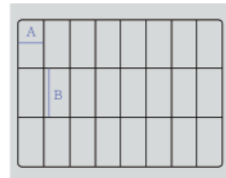
E-107

211 x 128 x 34 mm
A: 32 mm, B: 36 mm, H: 30 mm



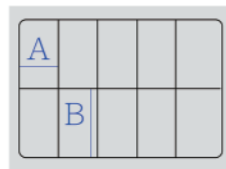
E-201

252 x 195 x 42 mm
A: 22 mm, B: 38 mm, D: 34 mm



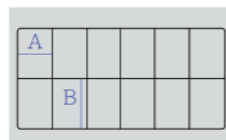
E-202

200 x 145 x 39 mm
A: 21 mm, B: 40 mm, H: 34 mm



E-203

134 x 104 x 30 mm
A: 24 mm, B: 44 mm, H: 24 mm



E-205

260 x 126 x 46 mm
A: 39 mm, B: 53 mm, H: 37 mm



E-236

208 x 105 x 30 mm
A: 33 mm, B: 100 mm, H: 26 mm



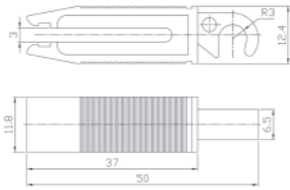
ASSORTMENT KIT

We have multi-size of cases for clients to create their own unique assortment kits on the target market. For any further details, please contact us. We would be elaborate to provide further information if required.



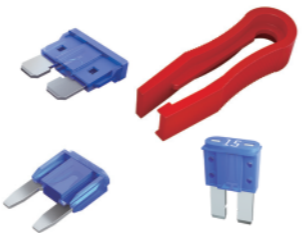
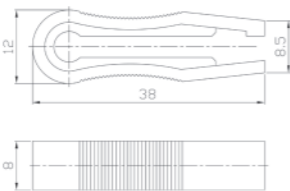
ZC-419Y

Insulating Body: ABS
Applicable: For ATS, ATA, AGC Fuse



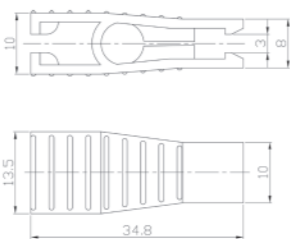
ZC-519J

Insulating Body: ABS
Applicable: For ATS, ATN, ATA Fuse



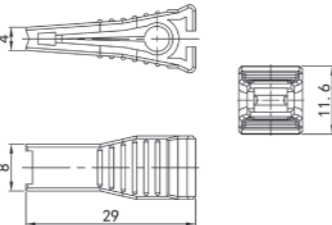
ZC-519M

Insulating Body: ABS
Applicable: For ATS & ATA Fuse



ZC-519P

Insulating Body: ABS
Applicable: For ATT & ATA Fuse



ZC-119

Insulating Body: Plastic
Applicable: For ATS & AGC Fuses

